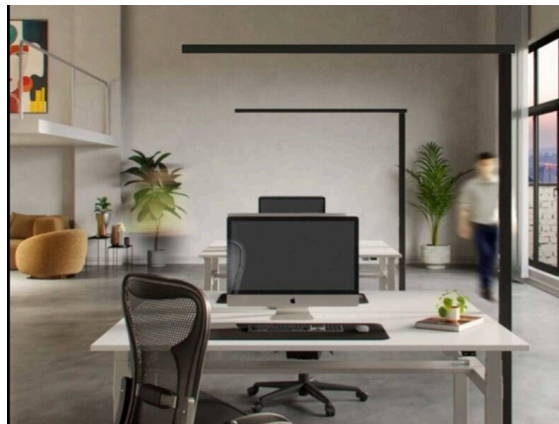


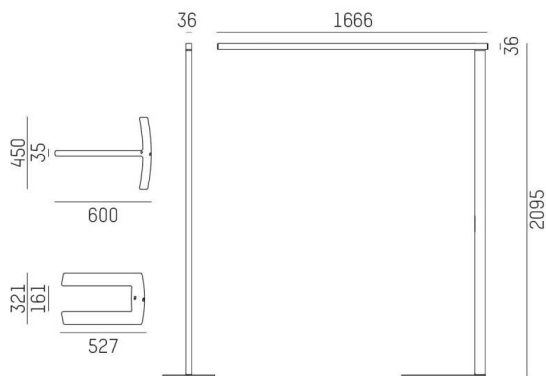
LENS 2

606-000212410012466t

LENS 2 SINGLE RIGHT F FLOOR LAMP made of aluminium, black, similar to RAL 9005, Hybrid optics consisting of free-form lenses, micro-faceted high-gloss reflectors and black anti-glare louvre beam for single workplace, base plate black, light output direkt/- indirekt 20:80, UGR <16, with converter, dimmability: Push Dim, IP20 with rocker switch / lower edge of control point 1400mm,



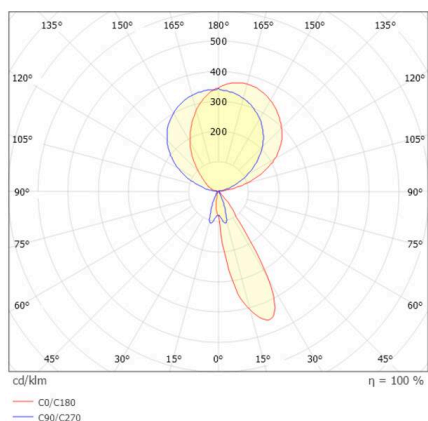
SKETCH



TECHNICAL DETAILS

Light source	LED
System performance [W]	59/66/87/121
Luminous flux [lm]	8700/9570/12530/17300
Colour temperature	4000K
CRI	>90
UGR	<16
Optics	Hybrid optics consisting of free-form lenses, micro-faceted high-gloss reflectors and black anti-glare louvre with converter
Converter	Push Dim
Dimmability	direkt/- indirekt 20:80
Light emission area	for single workplace
Beam angle	220-240V 50/60Hz
Voltage	
Length [mm]	1666
Width [mm]	36
Height [mm]	2095
IP protection class	IP20
IP protection class	protection cl. I
Material	aluminium
Colour of body	black
Colour Base Plate	black
RAL	9005
Lifetime [h]	L80 B10 100 000
Energy efficiency class	C
Number of luminaires B16A	16
Net weight [kg]	13.04
EAN number	9010979929326

LIGHT DISTRIBUTION CURVE



Energy label



The values are rated values. Power and luminous flux are initially subject to a tolerance of +/- 10%. Colour temperature tolerance: +/- 150 K. The values apply to an ambient temperature of 25°C unless otherwise specified.