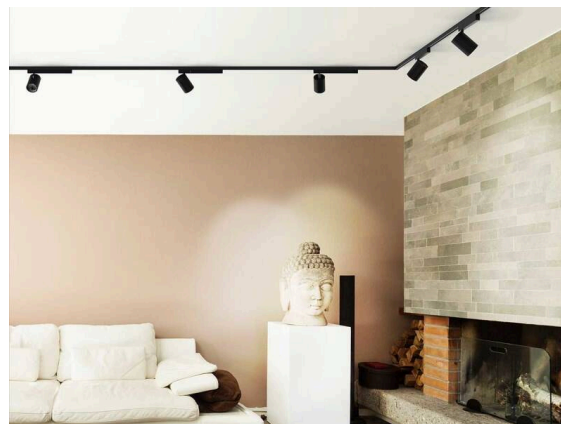


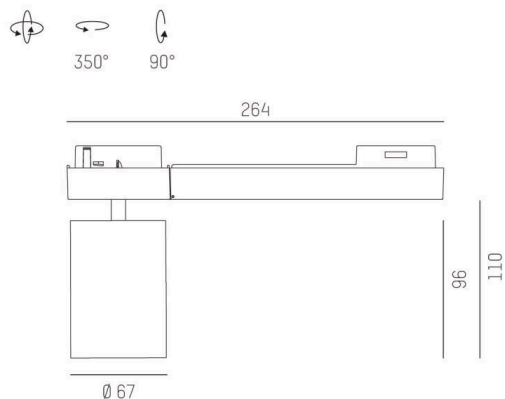
MOVA

495-2206b134965r02

MOVA S VOLARE TRACK SPOTLIGHT WITH 2 PH VOLARE ADAPTER made of aluminium, black, similar to RAL 9005, decor white, high-efficiently vacuum deposited synthetic reflector beam 24°, light output direct, swiveling 350°, tilting 90°, with converter, max. 200mA, dimmability: Loxone Air, adapter/ceiling base black, IP20



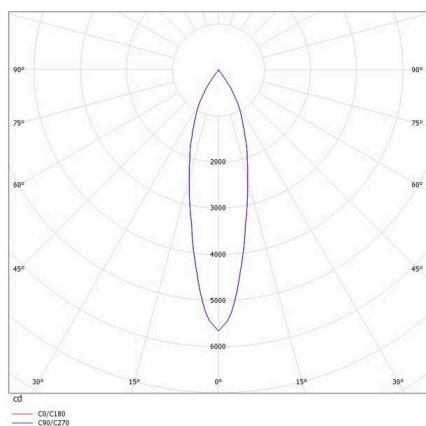
SKETCH



TECHNICAL DETAILS

Light source	LED
System performance [W]	8,5
Luminous flux [lm]	1170
Current sec. [mA]	200
Colour temperature	3000K
CRI	PREMIUM>90
Optics	vacuum deposited synthetic reflector
Converter	with converter
Dimmability	Loxone Air
Light emission area	direct
Beam angle	24°
Voltage	220-240V 50/60Hz
Length [mm]	264
Height [mm]	125
Diameter [mm]	67
IP protection class	IP20
IP protection class	protection cl. II
Material	aluminium
Colour of body	black
RAL	9005
Colour of adapter / ceiling base	black
Colour of decor	white
Lifetime [h]	L80 B10 50 000
Energy efficiency class	C
Net weight [kg]	0.72
EAN number	9010979864115

LIGHT DISTRIBUTION CURVE



Energy label



The values are rated values. Power and luminous flux are initially subject to a tolerance of +/- 10%.
Colour temperature tolerance: +/- 150 K. The values apply to an ambient temperature of 25°C unless otherwise specified.