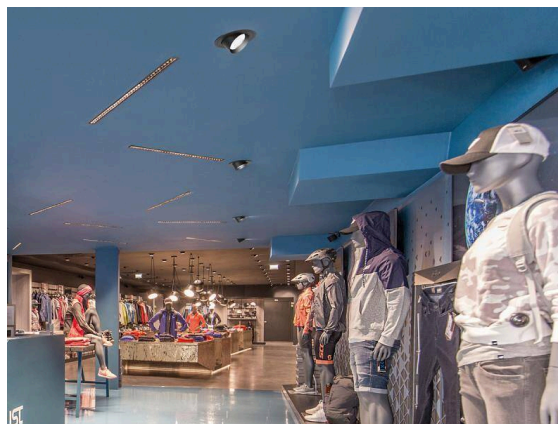


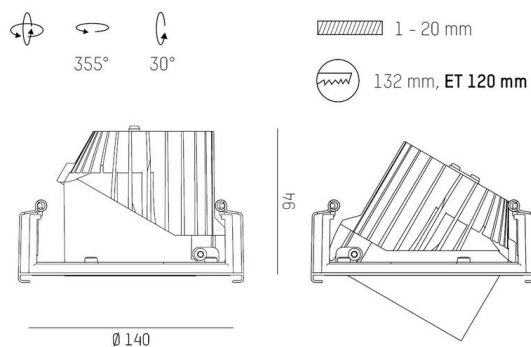
MOVA

695-51000134965002

MOVA M TURN R RECESSED SPOTLIGHT made of aluminium, black, similar to RAL 9005, decor white, high-efficiently vacuum deposited aluminium reflector beam 24°, light output direct, swiveling 350°, tilting 30°, without converter, max. 350/500/700/800mA, IP20



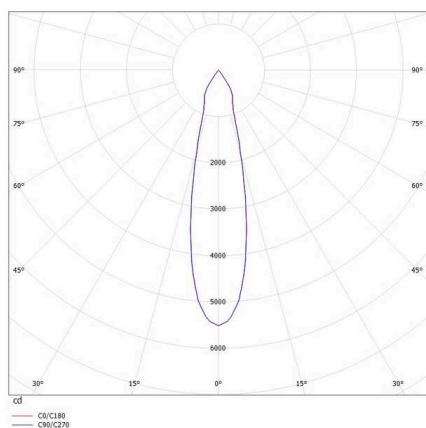
SKETCH



TECHNICAL DETAILS

Light source	LED 12W/17W/24W/28W
Luminous flux [lm]	1900/2650/3580/4010
Current sec. [mA]	350/500/700/800
Colour temperature	3000K
CRI	PREMIUM>90
Optics	vacuum deposited aluminium reflector
Converter	without converter
Light emission area	direct
Beam angle	24°
Voltage	220-240V 50/60Hz
Height [mm]	94
Diameter [mm]	140
Ceiling cutout [mm]	132
Ceiling thickness [mm]	1-20
Mounting depth [mm]	120
IP protection class	IP20
IP protection class	protection cl. II
Material	aluminium
Colour of body	black
RAL	9005
Colour of decor	white
Lifetime [h]	L80 B10 50 000
Energy efficiency class	C
Net weight [kg]	0.54
EAN number	9010979831261

LIGHT DISTRIBUTION CURVE



Energy label



The values are rated values. Power and luminous flux are initially subject to a tolerance of +/- 10%.
Colour temperature tolerance: +/- 150 K. The values apply to an ambient temperature of 25°C unless otherwise specified.