

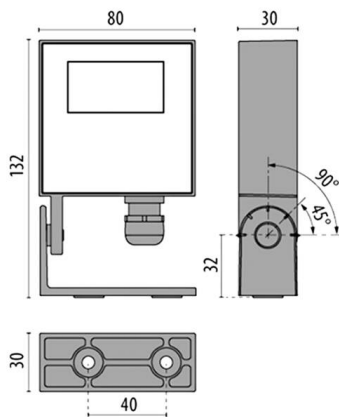
PERFORMANCE

187-304611

FOCUS + ZERO FLOODLIGHTS made of aluminium, anthrazite, transparent glass beam symmetric, light output direct, tilting 90°, with converter, dimmability: not dimmable, IP65



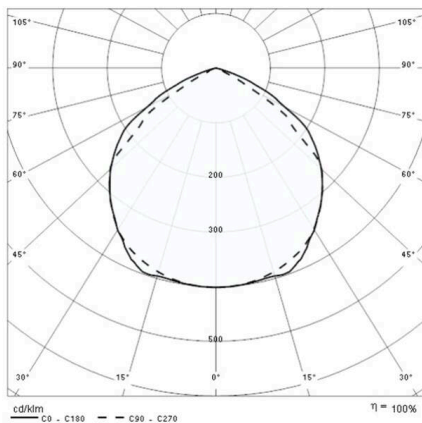
SKETCH



TECHNICAL DETAILS

Light source	LED
System performance [W]	10
Luminous flux [lm]	634
Colour temperature	4000K
CRI	>80
Optics	transparent glass
Converter	with converter
Dimmability	not dimmable
Light emission area	direct
Beam angle	symmetric
Voltage	220-240V 50/60Hz
Length [mm]	80
Width [mm]	30
Height [mm]	132
IP protection class	IP65
IP protection class	protection cl. I
IK value	IK06
Material	aluminium
Colour of body	anthrazite
Lifetime [h]	35 000
Energy efficiency class	F
Net weight [kg]	0.40
EAN number	8018367638066

LIGHT DISTRIBUTION CURVE



The values are rated values. Power and luminous flux are initially subject to a tolerance of +/- 10%.
 Colour temperature tolerance: +/- 150 K. The values apply to an ambient temperature of 25°C unless otherwise specified.