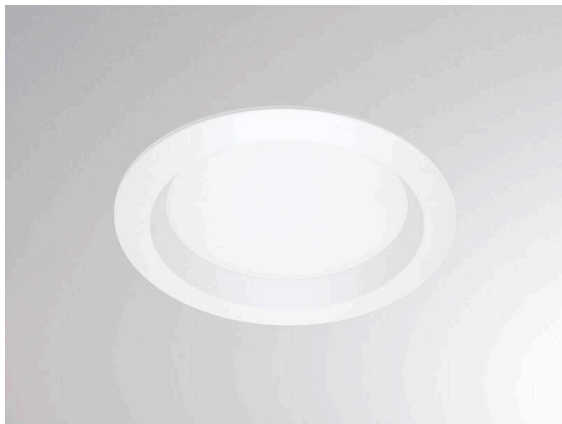


FOSNOVA

121-2217220139

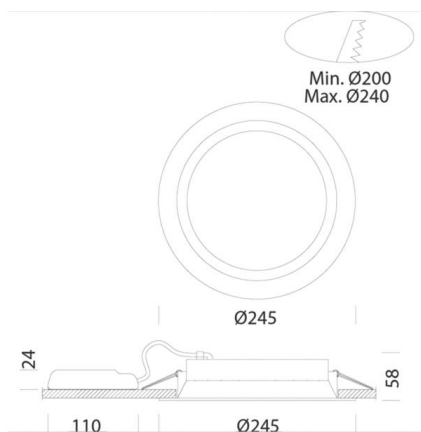
ENERGY 2245 RECESSED DOWNLIGHT made of aluminium, white, beam 100°, light output direct, with converter, max. 400/500/525/550/600/700/725mA, dimmability: not dimmable, IP44/IP20 adjustable by means of DIP-SWITCH converter,



DIP-SWITCH Einstellungen 121-2217220139

I out	W tot	Kelvin	Lumen	CRI
400	14	3000K	1800	CRI 90
500	18	3000K	2200	CRI 90
525	19	3000K	2310	CRI 90
550	20	3000K	2430	CRI 90
600	22	3000K	2650	CRI 90
700	25	3000K	3083	CRI 90
725	26	3000K	3193	CRI 90

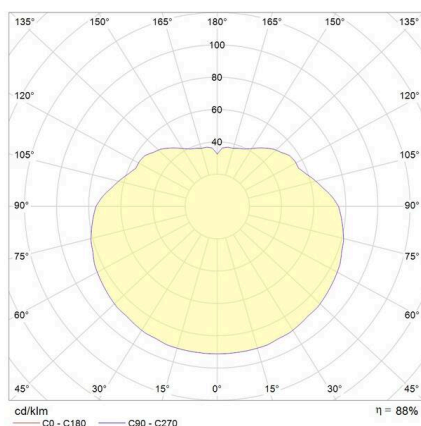
SKETCH



TECHNICAL DETAILS

Light source	LED
System performance [W]	14/18/20/22
Luminous flux [lm]	1854/2266/2503/2729
Current sec. [mA]	400/500/525/550/600/700/725
Colour temperature	3000K
CRI	>90
Converter	with converter
Dimmability	not dimmable
Light emission area	direct
Beam angle	100°
Voltage	220-240V 50/60Hz
Height [mm]	58
Diameter [mm]	245
Ceiling cutout [mm]	200-240
Mounting depth [mm]	88
IP protection class	IP44/IP20
IP protection class	protection cl. II
IK value	IK07
Material	aluminium
Colour of body	white
Energy efficiency class	E
Net weight [kg]	0.62
EAN number	8016535144555

LIGHT DISTRIBUTION CURVE



The values are rated values. Power and luminous flux are initially subject to a tolerance of +/- 10%. Colour temperature tolerance: +/- 150 K. The values apply to an ambient temperature of 25°C unless otherwise specified.