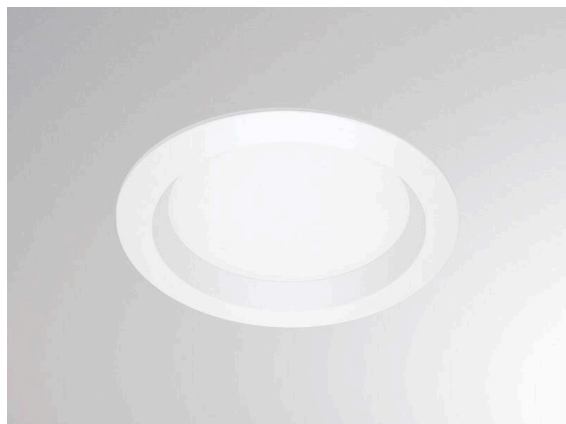


## FOSNOVA

121-2217220139

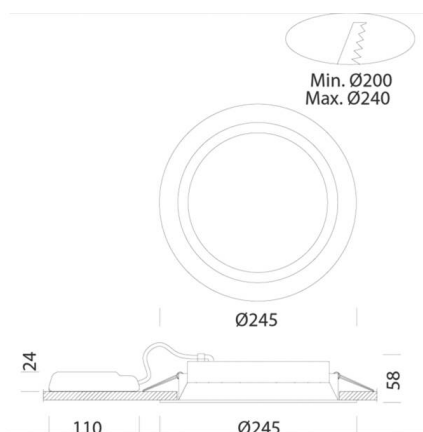
ENERGY 2245 RECESSED DOWNLIGHT made of aluminium, white, beam 100°, light output direct, with converter, max. 400/500/525/550/600/700/725mA, dimmability: not dimmable, IP44/IP20 adjustable by means of DIP-SWITCH converter,



DIP-SWITCH Einstellungen 121-2217220139

I out	W tot	Kelvin	Lumen	CRI
400	14	3000K	1800	CRI 90
500	18	3000K	2200	CRI 90
525	19	3000K	2310	CRI 90
550	20	3000K	2430	CRI 90
600	22	3000K	2650	CRI 90
700	25	3000K	3083	CRI 90
725	26	3000K	3193	CRI 90

## SKETCH



## TECHNICAL DETAILS

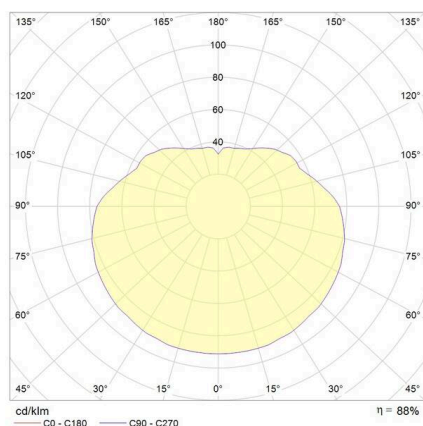
Light source LED  
 System performance [W] 14/18/20/22  
 Luminous flux [lm] 1854/2266/2503/2729  
 Current sec. [mA] 400/500/525/550/600/700/725  
 Colour temperature 3000K  
 CRI >90  
 Converter with converter  
 Dimmability not dimmable  
 Light emission area direct  
 Beam angle 100°  
 Voltage 220-240V 50/60Hz

Height [mm] 58  
 Diameter [mm] 245  
 Ceiling cutout [mm] 200-240  
 Mounting depth [mm] 88  
 IP protection class IP44/IP20  
 IP protection class protection cl. II  
 IK value IK07

Material aluminium  
 Colour of body white  
 Energy efficiency class E

Net weight [kg] 0.62  
 EAN number 8016535144555

## LIGHT DISTRIBUTION CURVE



The values are rated values. Power and luminous flux are initially subject to a tolerance of +/- 10%.  
 Colour temperature tolerance: +/- 150 K. The values apply to an ambient temperature of 25°C unless otherwise specified.