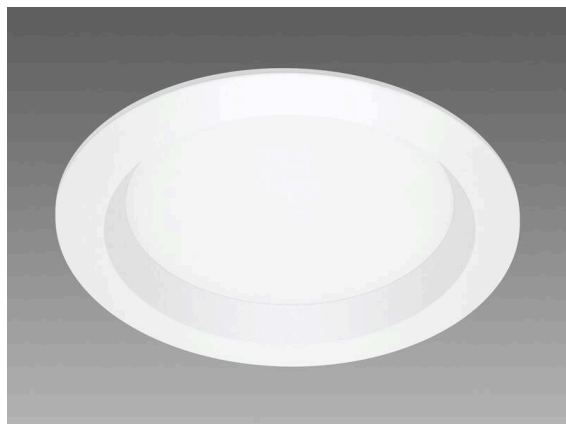


FOSNOVA

121-2217220100

ENERGY 2245 RECESSED DOWNLIGHT made of aluminium, white, beam 100°, light output direct, with converter, max. 400/500/525/550/600/700/725mA, dimmability: not dimmable, IP44/IP20 adjustable by means of DIP-SWITCH converter,



TECHNICAL DETAILS

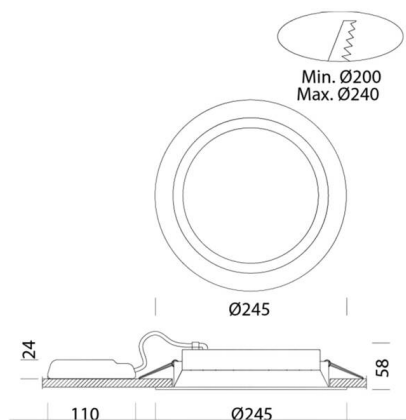
Light source	LED
System performance [W]	14/18/20/22
Luminous flux [lm]	1926/2385/2626/2884
Current sec. [mA]	400/500/525/550/600/700/725
Colour temperature	4000K
CRI	>90
Converter	with converter
Dimmability	not dimmable
Light emission area	direct
Beam angle	100°
Voltage	220-240V 50/60Hz

Height [mm]	58
Diameter [mm]	245
Ceiling cutout [mm]	200-240
Mounting depth [mm]	88
IP protection class	IP44/IP20
IP protection class	protection cl. II
IK value	IK07

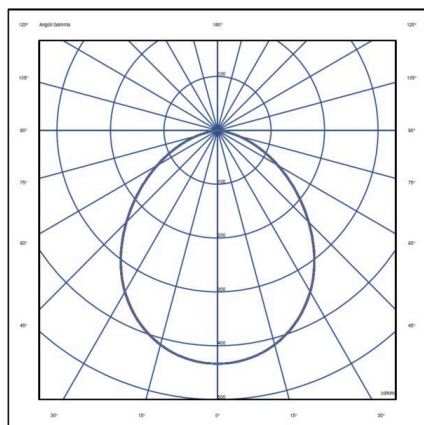
Material	aluminium
Colour of body	white
Lifetime [h]	L80 B20 55 000
Energy efficiency class	D

Net weight [kg]	0.62
EAN number	8016535144548

SKETCH



LIGHT DISTRIBUTION CURVE



The values are rated values. Power and luminous flux are initially subject to a tolerance of +/- 10%.
Colour temperature tolerance: +/- 150 K. The values apply to an ambient temperature of 25°C unless otherwise specified.