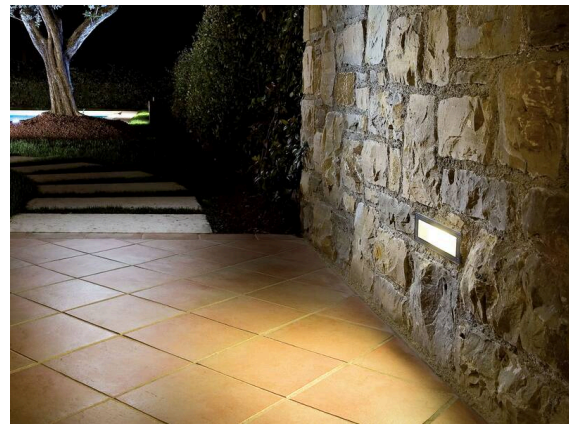


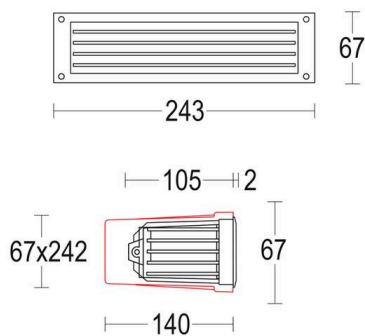
GHIDINI

57-gh6507ahxa300en05

MARGIN WALL GRID RECESSED WALL LUMINAIRE anthrazite, opal diffuser beam asymmetric, with converter, max. 350mA, dimmability: not dimmable, IP66



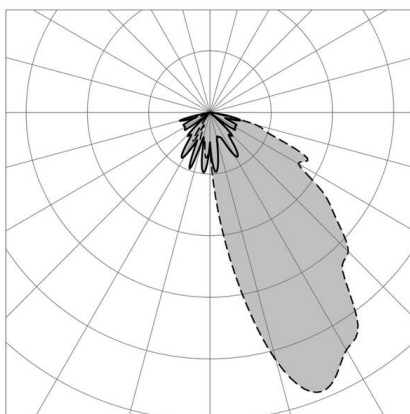
SKETCH



TECHNICAL DETAILS

Light source	LED
System performance [W]	7
Luminous flux [lm]	7
Current sec. [mA]	350
Colour temperature	3000K
CRI	>90
Optics	opal diffuser
Converter	with converter
Dimmability	not dimmable
Beam angle	asymmetric
Voltage	220-400V 50/60Hz
Length [mm]	243
Width [mm]	67
Mounting depth [mm]	140
IP protection class	IP66
IP protection class	protection cl. I
IK value	IK10
Colour of body	anthrazite
Energy efficiency class	E
Net weight [kg]	0.96

LIGHT DISTRIBUTION CURVE



The values are rated values. Power and luminous flux are initially subject to a tolerance of +/- 10%.
 Colour temperature tolerance: +/- 150 K. The values apply to an ambient temperature of 25°C unless otherwise specified.