

TCI

24-119654

PICO WOLF 60 Konverter, TRIAC-dimmbar, Draht Querschnitt bis zu 2,5mm²

10 - 60W / 11,5V

L=86mm, B=31mm, H=20mm

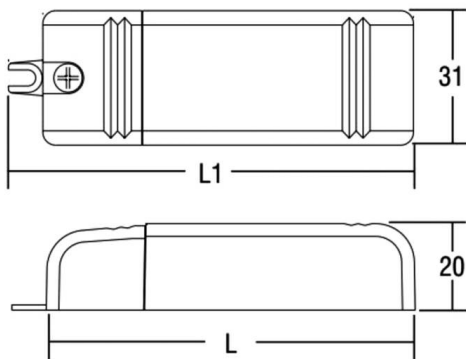
220-240V 50/60Hz



TECHNICAL DETAILS

| | |
|------------------------|-------------------|
| System performance [W] | 10-60 |
| Converter | with converter |
| Dimmability | TRIAC |
| Voltage | 12V AC/DC 0-60Hz |
| Length [mm] | 94 |
| Width [mm] | 31 |
| Height [mm] | 20 |
| IP protection class | IP20 |
| IP protection class | protection cl. II |
| Material | synthetic |
| Colour of body | white |
| Net weight [kg] | 0.05 |
| EAN number | 8010703450578 |

SKETCH



The values are rated values. Power and luminous flux are initially subject to a tolerance of +/- 10%.
 Colour temperature tolerance: +/- 150 K. The values apply to an ambient temperature of 25°C unless otherwise specified.