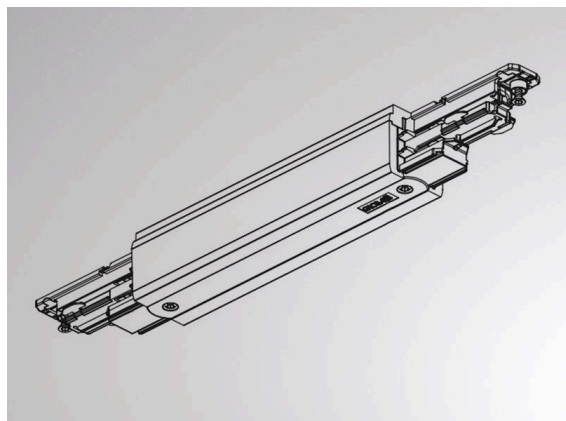


NOA SYSTEM

208-191nc6141

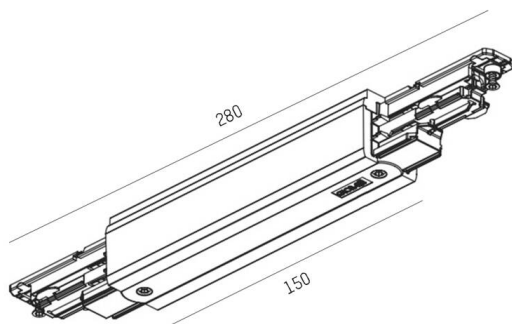
Center power feed XTSC 614-1



TECHNICAL DETAILS

Dimmability	DALI
Voltage	220-240V 50/60Hz
Length [mm]	150
Width [mm]	31,5
IP protection class	IP20
IP protection class	protection cl. I
Material	synthetic
Colour of body	grey
RAL	7040
Net weight [kg]	0.17
EAN number	6410014501211

SKETCH



LIGHT DISTRIBUTION CURVE



The values are rated values. Power and luminous flux are initially subject to a tolerance of +/- 10%.
 Colour temperature tolerance: +/- 150 K. The values apply to an ambient temperature of 25°C unless otherwise specified.