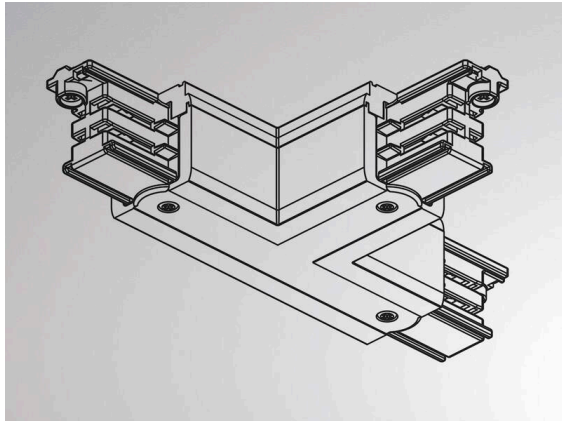


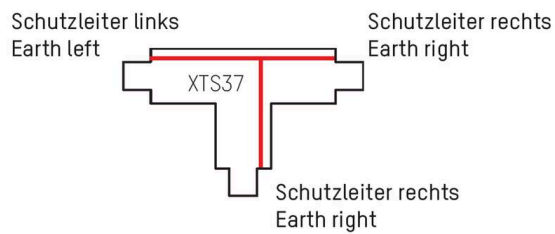
NOA SYSTEM

208-19170371

XTS 37-1



SKETCH



TECHNICAL DETAILS

|                     |                  |
|---------------------|------------------|
| Dimmability         | not dimmable     |
| Voltage             | 220-240V 50/60Hz |
| Length [mm]         | 100              |
| Width [mm]          | 66               |
| Height [mm]         | 33               |
| IP protection class | IP20             |
| IP protection class | protection cl. I |
| Material            | synthetic        |
| Colour of body      | grey             |
| Net weight [kg]     | 0.14             |
| EAN number          | 6410014507282    |



The values are rated values. Power and luminous flux are initially subject to a tolerance of +/- 10%.  
 Colour temperature tolerance: +/- 150 K. The values apply to an ambient temperature of 25°C unless otherwise specified.