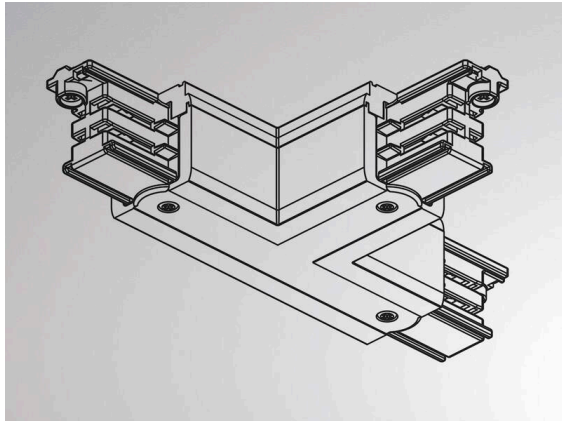


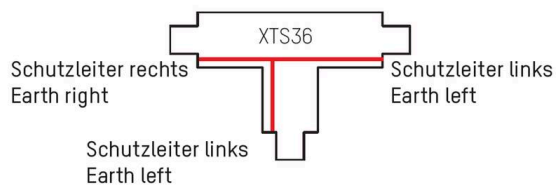
NOA SYSTEM

208-19170361

XTS 36-1



SKETCH



TECHNICAL DETAILS

Converter	with converter
Dimmability	not dimmable
Voltage	220-240V 50/60Hz
Length [mm]	100
Width [mm]	66
Height [mm]	33
IP protection class	IP20
IP protection class	protection cl. I
Material	synthetic
Colour of body	grey
Net weight [kg]	0,14
EAN number	6410014507275



The values are rated values. Power and luminous flux are initially subject to a tolerance of +/- 10%.
 Colour temperature tolerance: +/- 150 K. The values apply to an ambient temperature of 25°C unless otherwise specified.