

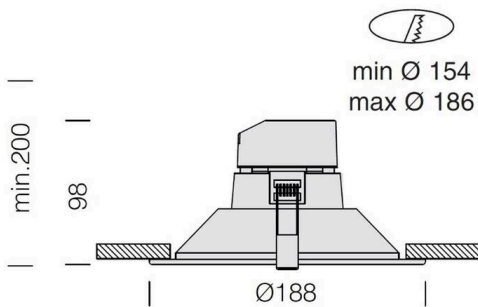
FOSNOVA

121-2208441100

SPEAKER LED RECESSED DOWNLIGHT made of aluminium, white, satined PMMA opal diffuser beam 100°, light output direct, with converter, dimmability: not dimmable, IP44/IP20



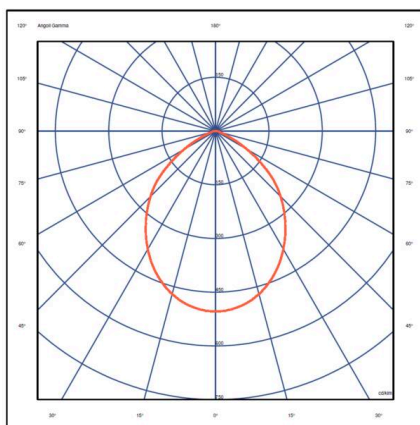
SKETCH



TECHNICAL DETAILS

Light source	LED
System performance [W]	14
Luminous flux [lm]	1300
Colour temperature	4000K
CRI	>80
Optics	PMMA opal diffuser
Converter	with converter
Dimmability	not dimmable
Light emission area	direct
Beam angle	100°
Voltage	220-240V 50/60Hz
Height [mm]	74
Diameter [mm]	187
Ceiling cutout [mm]	158-180
Mounting depth [mm]	104
IP protection class	IP44/IP20
IP protection class	protection cl. II
IK value	IK04
Material	aluminium
Colour of body	white
Lifetime [h]	30 000
Energy efficiency class	E
Net weight [kg]	0.25
EAN number	8016535082321

LIGHT DISTRIBUTION CURVE



The values are rated values. Power and luminous flux are initially subject to a tolerance of +/- 10%.  
Colour temperature tolerance: +/- 150 K. The values apply to an ambient temperature of 25°C unless otherwise specified.