

TCI

24-15141350

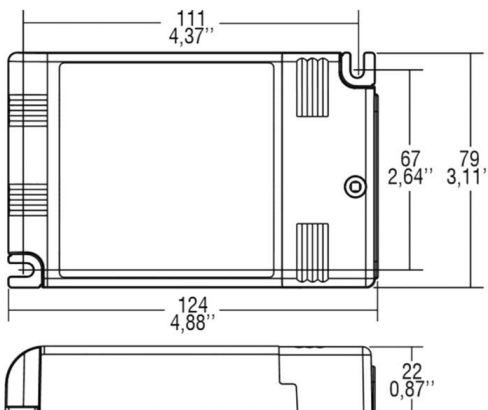
Multipower LED driver, white, 1-10V, PUSH & DALI dimmable, resistive potentiometer 100K or Push, AM dimming, class II protection against electric shock for direct or indirect contact, Active Power Factor Corrector, analogical input (NTC) for thermal sensor connection, auxiliary output 12V max. 100mA, input and output terminal blocks on the same side (wire cross-section up to 2,5 mm²), clamping screws on primary and secondary circuits for cables with diameter: min. 3mm - max. 8mm, Protections: against overheating and short circuits, against mains voltage spikes, against overloads; ceiling cutout= 84mm, 230V AC, DIP-SWITCH: (constant current) 25W - 60W / 350mA - 1050mA / 74V - 57V DC



TECHNICAL DETAILS

System performance [W]	25-50
Dimmability	DALI
Voltage	220-240V 50/60Hz
Length [mm]	124
Width [mm]	79
Height [mm]	22
IP protection class	IP20
IP protection class	protection cl. II
Material	synthetic
Colour of body	white
Number of luminaires B16A	30
Net weight [kg]	0.21
EAN number	9008905787140

SKETCH



LIGHT DISTRIBUTION CURVE

DIP-SWITCH Einstellungen: 24-15141350		
P out W	V out DC	I out DC
25W	2 ... 74	350mA Konstantstrom
35W	2 ... 72	500mA Konstantstrom
39W	2 ... 72	550mA Konstantstrom
46W	2 ... 72	650mA Konstantstrom
50W	2 ... 72	700mA Konstantstrom
50W	2 ... 72	750mA Konstantstrom
50W	2 ... 70	850mA Konstantstrom
50W	2 ... 66	900mA Konstantstrom
50W	2 ... 60	1000mA Konstantstrom
50W	2 ... 57	1050mA Konstantstrom



The values are rated values. Power and luminous flux are initially subject to a tolerance of +/- 10%.
 Colour temperature tolerance: +/- 150 K. The values apply to an ambient temperature of 25°C unless otherwise specified.