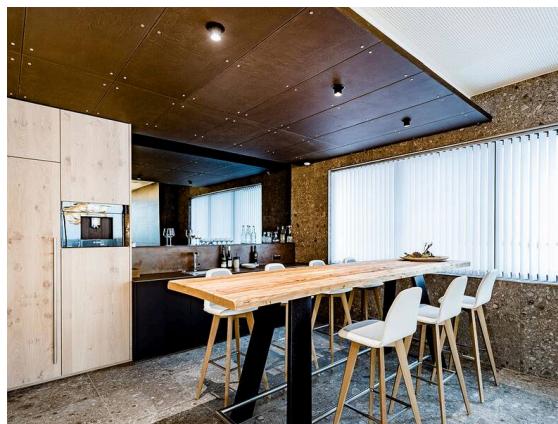


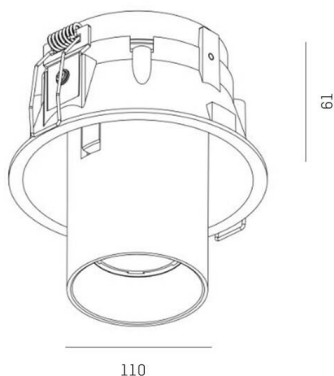
ELIX

276-0010990333006

ELIX R RECESSED SPOTLIGHT made of aluminium, black, similar to RAL 9005, decor black, beam 33°, light output direct, swiveling 355°, tilting 45°, without converter, max. 500mA, dimmability: see converter, IP20



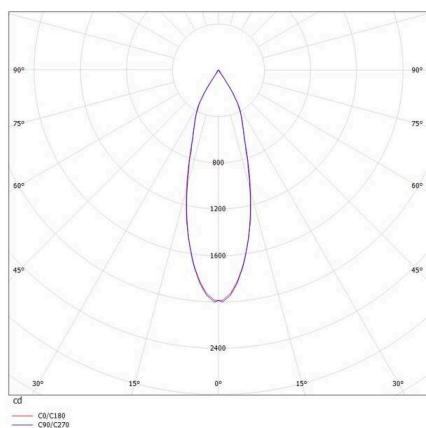
SKETCH



TECHNICAL DETAILS

|                         |                    |
|-------------------------|--------------------|
| Light source            | LED 9W             |
| Luminous flux [lm]      | 770                |
| Current sec. [mA]       | 500                |
| Colour temperature      | 3000K              |
| CRI                     | >90                |
| Converter               | without converter  |
| Dimmability             | see converter      |
| Light emission area     | direct             |
| Beam angle              | 33°                |
| Voltage                 | 17,8 VDC           |
| Length [mm]             | 56                 |
| Height [mm]             | 62                 |
| Diameter [mm]           | 110                |
| Ceiling cutout [mm]     | 102                |
| Mounting depth [mm]     | 91                 |
| IP protection class     | IP20               |
| IP protection class     | protection cl. III |
| Material                | aluminium          |
| Colour of body          | black              |
| RAL                     | 9005               |
| Colour of decor         | black              |
| Lifetime [h]            | L80 B10 20 000     |
| Energy efficiency class | E                  |
| Net weight [kg]         | 0.68               |
| EAN number              | 9008905906701      |

LIGHT DISTRIBUTION CURVE



Energy label



The values are rated values. Power and luminous flux are initially subject to a tolerance of +/- 10%.  
 Colour temperature tolerance: +/- 150 K. The values apply to an ambient temperature of 25°C unless otherwise specified.