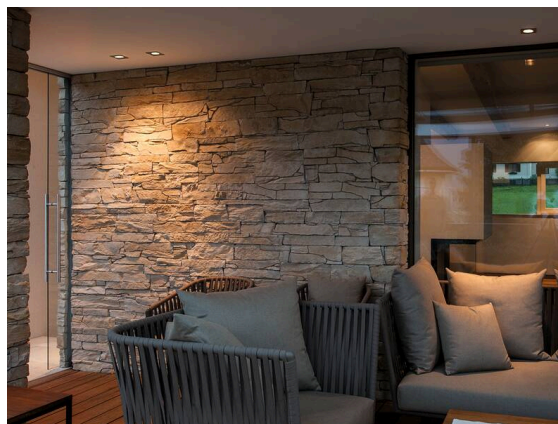


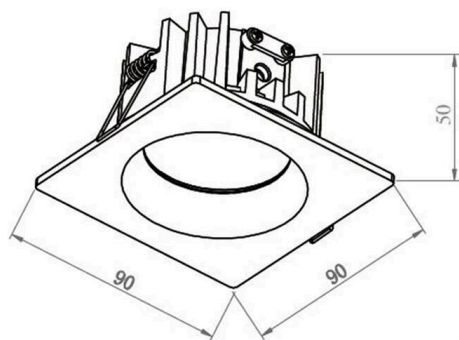
CHICCO

308-0020790302704

CHICCO SQUARE R RECESSED SPOTLIGHT made of aluminium, grey, similar to RAL 9006, beam 30°, light output direct, without converter, max. 350mA, dimmability: see converter, IP65/IP20



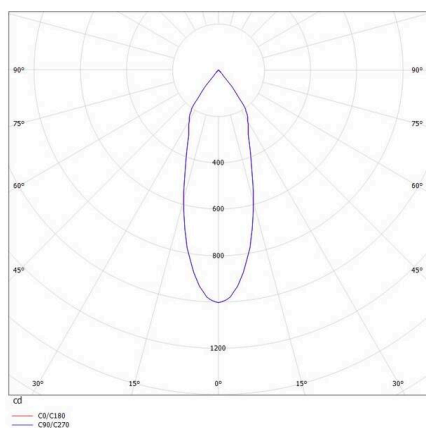
SKETCH



TECHNICAL DETAILS

Light source	LED 6W
Luminous flux [lm]	530
Current sec. [mA]	350
Colour temperature	2700K
CRI	>90
Converter	without converter
Dimmability	see converter
Light emission area	direct
Beam angle	30°
Voltage	20 VDC
Length [mm]	90
Width [mm]	90
Height [mm]	50
Ceiling cutout [mm]	78
Mounting depth [mm]	80
IP protection class	IP65/IP20
IP protection class	protection cl. III
Material	aluminium
Colour of body	grey
RAL	9006
Lifetime [h]	L80 B10 20 000
Energy efficiency class	E
Net weight [kg]	0.30
EAN number	9008905980183

LIGHT DISTRIBUTION CURVE



Energy label



The values are rated values. Power and luminous flux are initially subject to a tolerance of +/- 10%.
Colour temperature tolerance: +/- 150 K. The values apply to an ambient temperature of 25°C unless otherwise specified.