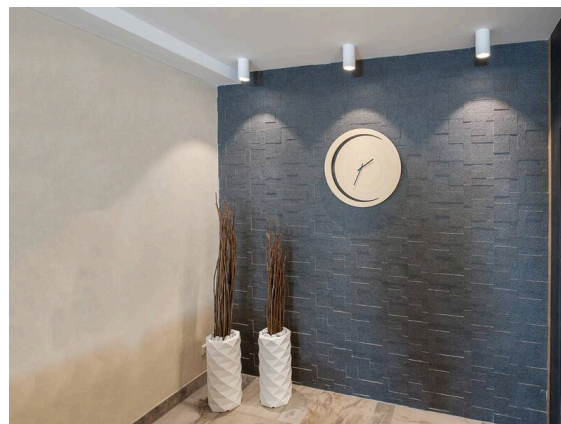


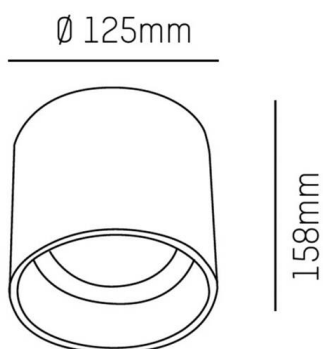
**AEON**

**305-604527wddd**

AEON ROUND SURFACE MOUNTED CEILING LUMINAIRE made of aluminium, white, similar to RAL 9003, beam 45°, light output direct, with converter, max. 350mA, dimmability: DALI, IP20



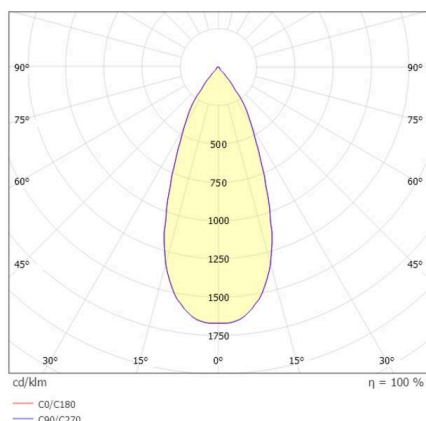
**SKETCH**



**TECHNICAL DETAILS**

|                           |                  |
|---------------------------|------------------|
| Light source              | LED              |
| System performance [W]    | 15               |
| Luminous flux [lm]        | 1450             |
| Current sec. [mA]         | 350              |
| Colour temperature        | 2700K            |
| CRI                       | >80              |
| Converter                 | with converter   |
| Dimmability               | DALI             |
| Light emission area       | direct           |
| Beam angle                | 45°              |
| Voltage                   | 220-240V 50/60Hz |
| Height [mm]               | 158              |
| Diameter [mm]             | 125              |
| IP protection class       | IP20             |
| IP protection class       | protection cl. I |
| Material                  | aluminium        |
| Colour of body            | white            |
| RAL                       | 9003             |
| Lifetime [h]              | L80 B10 72 000   |
| Energy efficiency class   | E                |
| Number of luminaires B16A | 61               |
| Net weight [kg]           | 1.19             |
| EAN number                | 9008905912627    |

**LIGHT DISTRIBUTION CURVE**



Energy label



The values are rated values. Power and luminous flux are initially subject to a tolerance of +/- 10%.  
Colour temperature tolerance: +/- 150 K. The values apply to an ambient temperature of 25°C unless otherwise specified.