

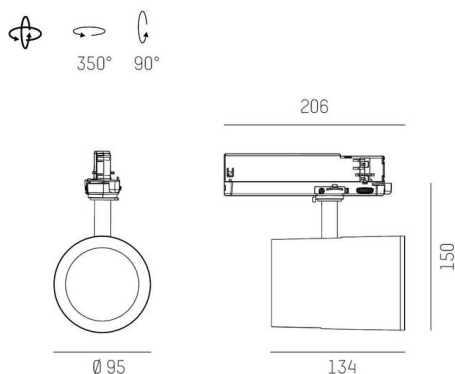
SHOP STAR

608-003010849060v2

SHOPSTAR LEAN TRACK TRACK SPOTLIGHT WITH 3 PH ADAPTER made of aluminium, black, similar to RAL 9005, high-efficiently vacuum deposited aluminium reflector beam 35°, light output direct, swiveling 350, tilting 90, with converter, max. 700mA, dimmability: not dimmable, adapter/ceiling base black, IP20



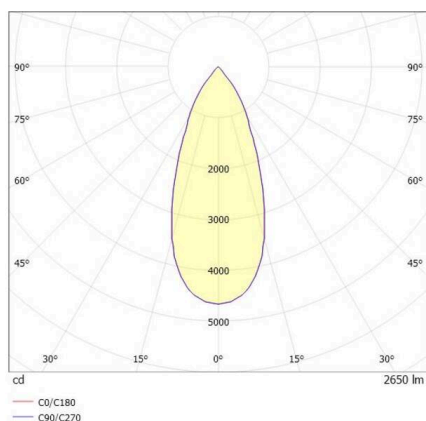
SKETCH



TECHNICAL DETAILS

Light source	LED
System performance [W]	26,5
Luminous flux [lm]	2650
Current sec. [mA]	700
Colour temperature	3000K
CRI	PREMIUM>90
Optics	vacuum deposited aluminium reflector
Converter	with converter
Dimmability	not dimmable
Light emission area	direct
Beam angle	35°
Voltage	220-240V 50/60Hz
Length [mm]	134
Height [mm]	150
Diameter [mm]	95
IP protection class	IP20
IP protection class	protection cl. II
Material	aluminium
Colour of body	black
RAL	9005
Colour of adapter / ceiling base	black
Lifetime [h]	L80 B10 50 000
Energy efficiency class	E
Number of luminaires B16A	47
Net weight [kg]	0.99
EAN number	9010870128194

LIGHT DISTRIBUTION CURVE



Energy label



The values are rated values. Power and luminous flux are initially subject to a tolerance of +/- 10%.
Colour temperature tolerance: +/- 150 K. The values apply to an ambient temperature of 25°C unless otherwise specified.