

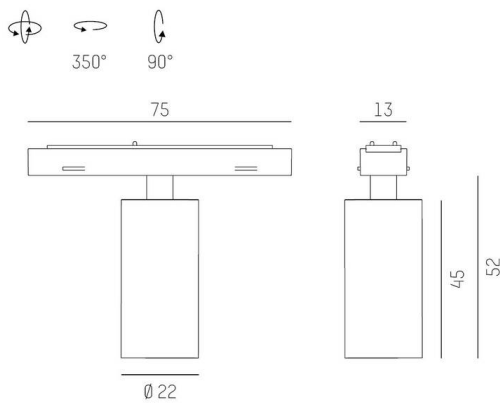
**MAGNETICS**

**708-002010424060**

MAGNETICS SPOT S TRACK SPOTLIGHT WITH 24V ADAPTER made of aluminium, black, similar to RAL 9005, High-Precision-Anti-Glare-Lens beam 20°, light output direct, UGR <19, swiveling 350°, tilting 90°, without converter, max. 195mA, dimmability: not dimmable, adapter/ceiling base black, IP20



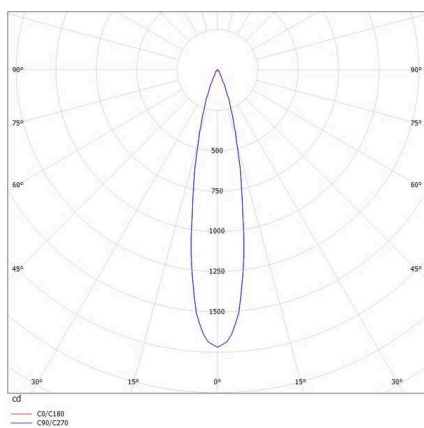
**SKETCH**



**TECHNICAL DETAILS**

Light source	LED
System performance [W]	4
Luminous flux [lm]	340
Current sec. [mA]	195
Colour temperature	4000K
CRI	>90
UGR	<19
Optics	high-Precision-Anti-Glare-Lens
Converter	without converter
Dimmability	not dimmable
Light emission area	direct
Beam angle	20°
Voltage	24 VDC
Length [mm]	74,9
Width [mm]	22
Height [mm]	52
Diameter [mm]	22
IP protection class	IP20
IP protection class	protection cl. III
IK value	IK03
Material	aluminium
Colour of body	black
RAL	9005
Colour of adapter / ceiling base	black
Lifetime [h]	L80 B10 50 000
Energy efficiency class	E
Net weight [kg]	0.59
EAN number	9010506292084

**LIGHT DISTRIBUTION CURVE**



Energy label



The values are rated values. Power and luminous flux are initially subject to a tolerance of +/- 10%.  
 Colour temperature tolerance: +/- 150 K. The values apply to an ambient temperature of 25°C unless otherwise specified.