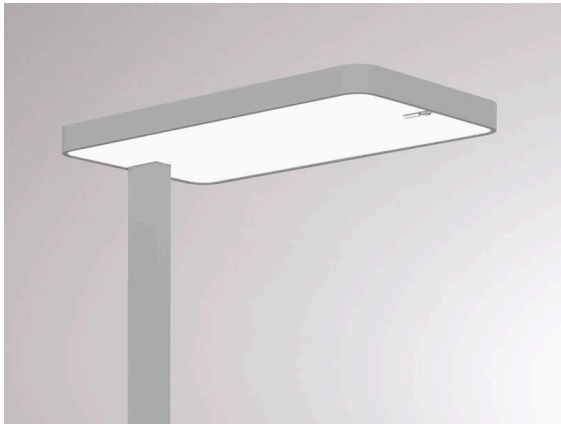


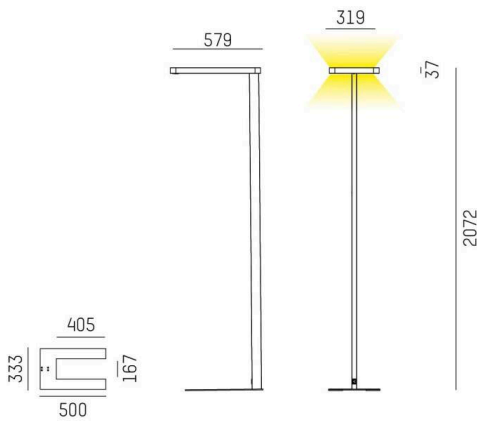
SYSTEM02.1

725-04001301908t

SYSTEM 02.1 F FLOOR LAMP made of die-cast aluminium, natural anodised, similar to RAL 9006, light output direct / indirect 30:70, UGR <19, with converter, max. 350mA, dimmability: Push Dim, cable black, IP20 rocker button



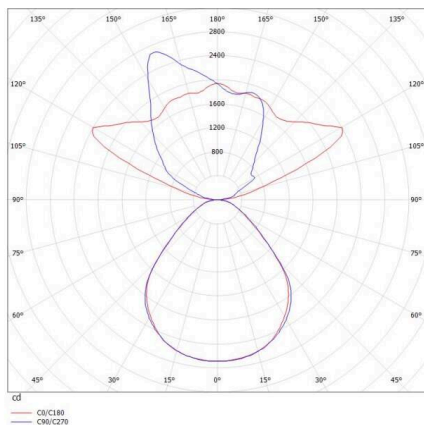
SKETCH



TECHNICAL DETAILS

|                           |                         |
|---------------------------|-------------------------|
| Light source              | LED                     |
| System performance [W]    | 93                      |
| Luminous flux [lm]        | 13640                   |
| Current sec. [mA]         | 350                     |
| Colour temperature        | 3000K                   |
| CRI                       | >80                     |
| UGR                       | <19                     |
| Converter                 | with converter          |
| Dimmability               | Push Dim                |
| Light emission area       | direct / indirect 30:70 |
| Voltage                   | 220-240V AC/DC          |
| Length [mm]               | 579                     |
| Width [mm]                | 319                     |
| Height [mm]               | 2072                    |
| IP protection class       | IP20                    |
| IP protection class       | protection cl. I        |
| Material                  | die-cast aluminium      |
| Colour of body            | aluminium anodised      |
| RAL                       | 9006                    |
| Cable                     | black                   |
| Lifetime [h]              | L80 B10 50 000          |
| Energy efficiency class   | D                       |
| Number of luminaires B16A | 18                      |
| Net weight [kg]           | 12.72                   |
| EAN number                | 9010506291919           |

LIGHT DISTRIBUTION CURVE



Energy label



The values are rated values. Power and luminous flux are initially subject to a tolerance of +/- 10%. Colour temperature tolerance: +/- 150 K. The values apply to an ambient temperature of 25°C unless otherwise specified.