

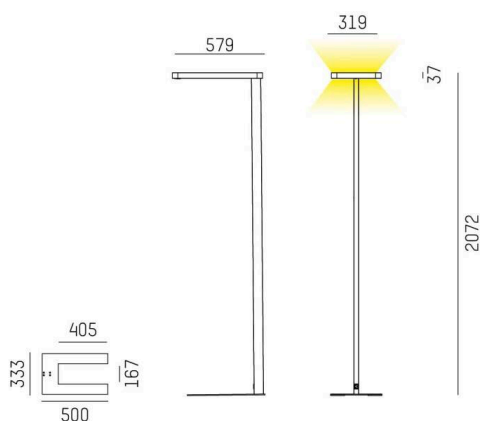
SYSTEM02.1

725-04001301406t

SYSTEM 02.1 F FLOOR LAMP made of die-cast aluminium, black, similar to RAL 9005, light output direct / indirect 30:70, UGR <19, with converter, max. 350mA, dimmability: Push Dim, cable black, IP20 rocker button



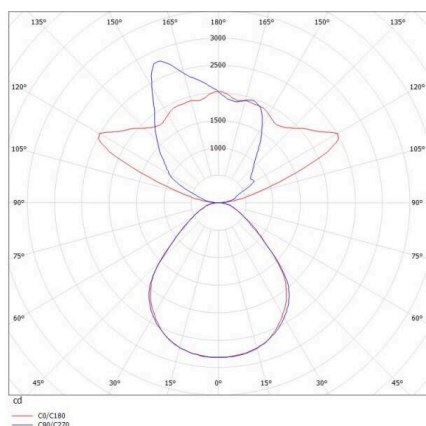
SKETCH



TECHNICAL DETAILS

| | |
|---------------------------|-------------------------|
| Light source | LED |
| System performance [W] | 93 |
| Luminous flux [lm] | 14290 |
| Current sec. [mA] | 350 |
| Colour temperature | 4000K |
| CRI | >80 |
| UGR | <19 |
| Converter | with converter |
| Dimmability | Push Dim |
| Light emission area | direct / indirect 30:70 |
| Voltage | 220-240V AC/DC |
| Length [mm] | 579 |
| Width [mm] | 319 |
| Height [mm] | 2072 |
| IP protection class | IP20 |
| IP protection class | protection cl. I |
| Material | die-cast aluminium |
| Colour of body | black |
| RAL | 9005 |
| Cable | black |
| Lifetime [h] | L80 B10 50 000 |
| Energy efficiency class | D |
| Number of luminaires B16A | 18 |
| Net weight [kg] | 12.72 |
| EAN number | 9010506291872 |

LIGHT DISTRIBUTION CURVE



Energy label



The values are rated values. Power and luminous flux are initially subject to a tolerance of +/- 10%.
Colour temperature tolerance: +/- 150 K. The values apply to an ambient temperature of 25°C unless otherwise specified.