

GRID

629-0004214906050

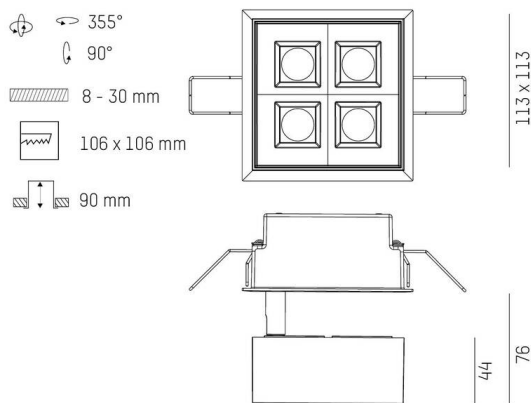
GRID SEMI RECESSED RECESSED SPOTLIGHT made of metal, black white, similar to RAL 9005, lens optic with anti-glare grid beam 30°, light output direct, UGR <19, swiveling 355°, tilting 90°, without converter, max. 300/500mA, dimmability: see converter, IP20



TECHNICAL DETAILS

| | |
|------------------------|---------------------------------------|
| Light source | LED 10W/17W |
| Luminous flux [lm] | 890/1310 |
| Current sec. [mA] | 300/500 |
| Colour temperature | 3000K |
| CRI | PREMIUM>90 |
| UGR | <19 |
| Optics | lens optics with glare control louvre |
| Converter | without converter |
| Dimmability | see converter |
| Light emission area | direct |
| Beam angle | 30° |
| Length [mm] | 113 |
| Width [mm] | 113 |
| Height [mm] | 76 |
| Ceiling cutout [mm] | 106x106 |
| Ceiling thickness [mm] | 8-30 |
| Mounting depth [mm] | 90 |
| IP protection class | IP20 |
| IP protection class | protection cl. II |

SKETCH

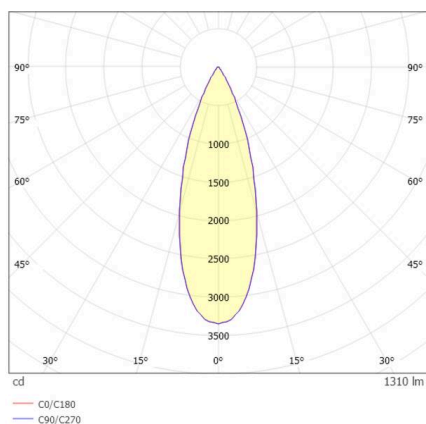


| | |
|-------------------------|----------------|
| Material | metal |
| Colour of body | black white |
| RAL | 9005 |
| Lifetime [h] | L80 B10 50 000 |
| Energy efficiency class | E |
| Net weight [kg] | 0.78 |
| EAN number | 9010979059467 |



Energy label

LIGHT DISTRIBUTION CURVE



The values are rated values. Power and luminous flux are initially subject to a tolerance of +/- 10%.
 Colour temperature tolerance: +/- 150 K. The values apply to an ambient temperature of 25°C unless otherwise specified.