

GRID

629-0004214905050

GRID SEMI RECESSED RECESSED SPOTLIGHT made of metal, white, similar to RAL 9016, lens optic with anti-glare grid beam 30°, light output direct, UGR <19, swiveling 355°, tilting 90°, without converter, max. 300/500mA, dimmability: see converter, IP20

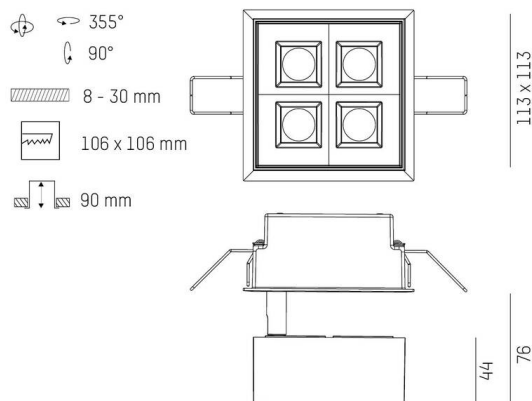


TECHNICAL DETAILS

|                        |                                       |
|------------------------|---------------------------------------|
| Light source           | LED 10W/17W                           |
| Luminous flux [lm]     | 890/1310                              |
| Current sec. [mA]      | 300/500                               |
| Colour temperature     | 3000K                                 |
| CRI                    | PREMIUM>90                            |
| UGR                    | <19                                   |
| Optics                 | lens optics with glare control louvre |
| Converter              | without converter                     |
| Dimmability            | see converter                         |
| Light emission area    | direct                                |
| Beam angle             | 30°                                   |
| Length [mm]            | 113                                   |
| Width [mm]             | 113                                   |
| Height [mm]            | 76                                    |
| Ceiling cutout [mm]    | 106x106                               |
| Ceiling thickness [mm] | 8-30                                  |
| Mounting depth [mm]    | 90                                    |
| IP protection class    | IP20                                  |
| IP protection class    | protection cl. II                     |

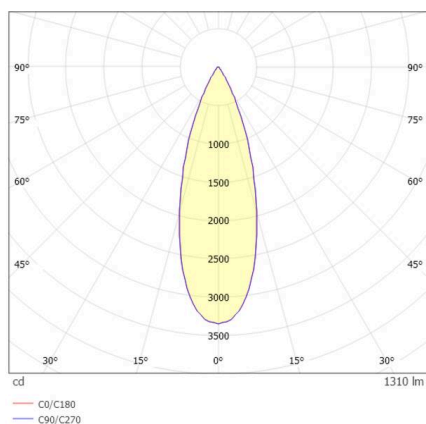
|                         |                |
|-------------------------|----------------|
| Material                | metal          |
| Colour of body          | white          |
| RAL                     | 9016           |
| Lifetime [h]            | L80 B10 50 000 |
| Energy efficiency class | E              |
| Net weight [kg]         | 0.78           |
| EAN number              | 9010979059443  |

SKETCH



Energy label

LIGHT DISTRIBUTION CURVE



The values are rated values. Power and luminous flux are initially subject to a tolerance of +/- 10%.  
 Colour temperature tolerance: +/- 150 K. The values apply to an ambient temperature of 25°C unless otherwise specified.