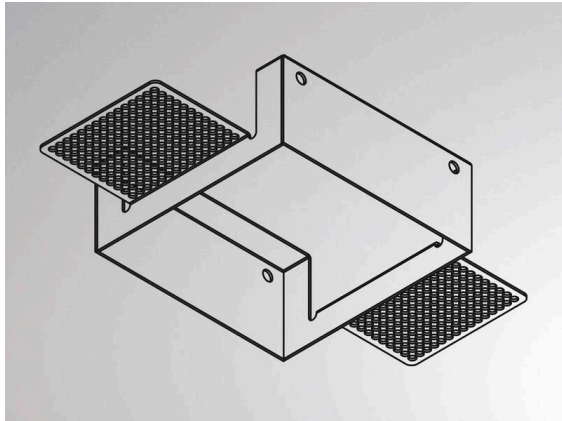


GRID

629-0002000005000

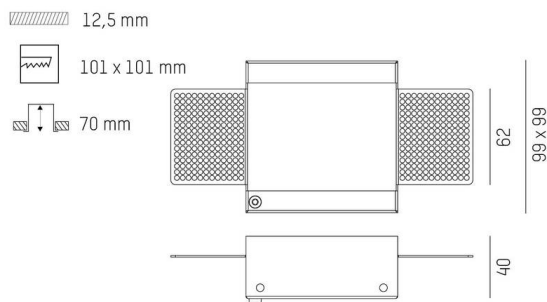
white powder-coated



TECHNICAL DETAILS

Dimmability	not dimmable
Length [mm]	99
Width [mm]	99
Height [mm]	41
Ceiling cutout [mm]	101x101
Ceiling thickness [mm]	12,5
Mounting depth [mm]	70
IP protection class	IP20
Material	metal
Colour of body	white
RAL	9016
Net weight [kg]	0.19
EAN number	9010870982789

SKETCH



Energy label



The values are rated values. Power and luminous flux are initially subject to a tolerance of +/- 10%.
 Colour temperature tolerance: +/- 150 K. The values apply to an ambient temperature of 25°C unless otherwise specified.