

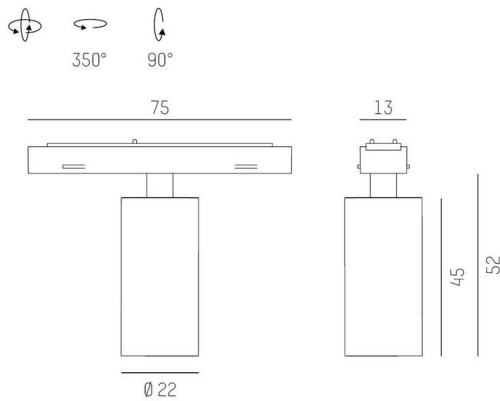
MAGNETICS

708-002010643060

MAGNETICS SPOT S TRACK SPOTLIGHT WITH 24V ADAPTER made of aluminium, black, similar to RAL 9005, High-Precision-Anti-Glare-Lens beam 30°, light output direct, UGR <19, swiveling 350°, tilting 90°, without converter, max. 195mA, dimmability: not dimmable, adapter/ceiling base black, IP20



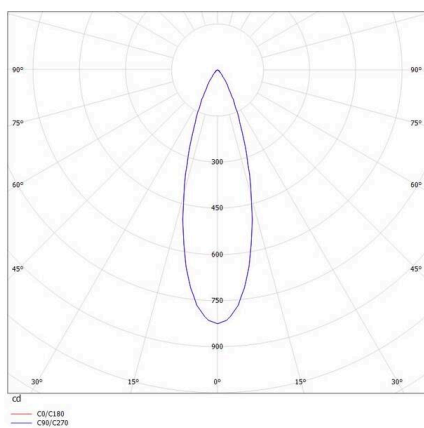
SKETCH



TECHNICAL DETAILS

| | |
|----------------------------------|--------------------------------|
| Light source | LED |
| System performance [W] | 4 |
| Luminous flux [lm] | 310 |
| Current sec. [mA] | 195 |
| Colour temperature | 2700K |
| CRI | PREMIUM>90 |
| UGR | <19 |
| Optics | high-Precision-Anti-Glare-Lens |
| Converter | without converter |
| Dimmability | not dimmable |
| Light emission area | direct |
| Beam angle | 30° |
| Voltage | 24 VDC |
| Length [mm] | 74,9 |
| Width [mm] | 22 |
| Height [mm] | 52 |
| Diameter [mm] | 22 |
| IP protection class | IP20 |
| IP protection class | protection cl. III |
| IK value | IK03 |
| Material | aluminium |
| Colour of body | black |
| RAL | 9005 |
| Colour of adapter / ceiling base | black |
| Lifetime [h] | L80 B10 50 000 |
| Energy efficiency class | F |
| Net weight [kg] | 0.59 |
| EAN number | 9010506292091 |

LIGHT DISTRIBUTION CURVE



Energy label



The values are rated values. Power and luminous flux are initially subject to a tolerance of +/- 10%.
 Colour temperature tolerance: +/- 150 K. The values apply to an ambient temperature of 25°C unless otherwise specified.