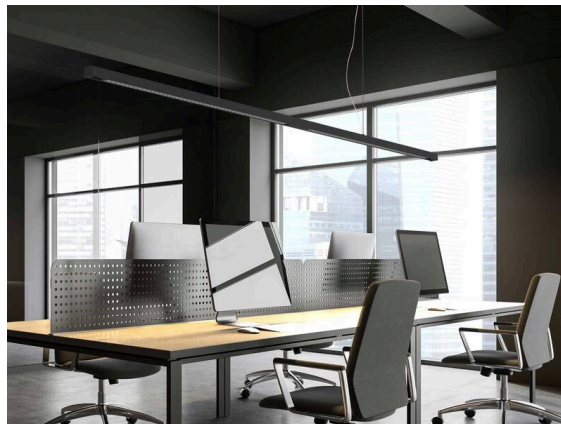


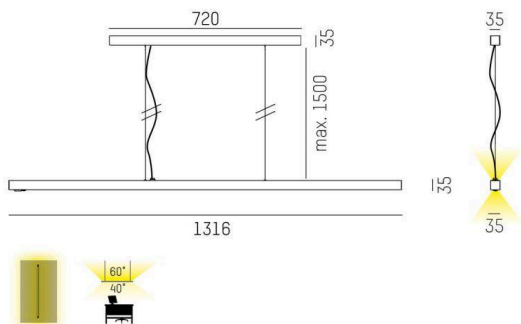
LENS

646-108010324050

LENS SHORT SINGLE PDI SUSPENSION made of die-cast aluminium, white, similar to RAL 9016, lens optic with anti-glare grid beam for single workplace, light output direct / indirect, UGR <16, with converter, max. 250mA, dimmability: not dimmable, cable transparent, adapter/ceiling base white matt, pendant length 1500mm, IP20



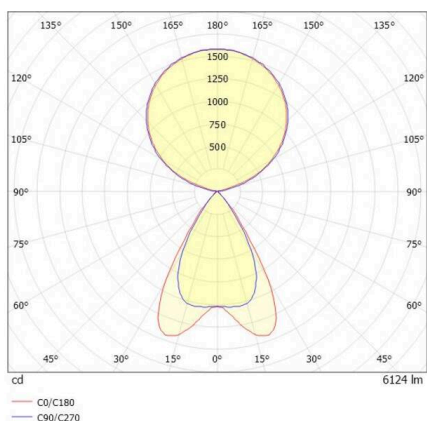
SKETCH



TECHNICAL DETAILS

|                                  |                                       |
|----------------------------------|---------------------------------------|
| Light source                     | LED                                   |
| System performance [W]           | 44                                    |
| Luminous flux [lm]               | 6124                                  |
| Current sec. [mA]                | 250                                   |
| Colour temperature               | 4000K                                 |
| CRI                              | >80                                   |
| UGR                              | <16                                   |
| Optics                           | lens optics with glare control louvre |
| Converter                        | with converter                        |
| Dimmability                      | not dimmable                          |
| Light emission area              | direct / indirect                     |
| Beam angle                       | for single workplace                  |
| Voltage                          | 220-240V AC/DC                        |
| Length [mm]                      | 1316                                  |
| Width [mm]                       | 35                                    |
| Height [mm]                      | 35                                    |
| Length pendant [mm]              | 1500                                  |
| IP protection class              | IP20                                  |
| IP protection class              | protection cl. I                      |
| IK value                         | IK05                                  |
| Material                         | die-cast aluminium                    |
| Colour of body                   | white                                 |
| RAL                              | 9016                                  |
| Colour of adapter / ceiling base | white                                 |
| Cable                            | transparent                           |
| Lifetime [h]                     | L80 B10 50 000                        |
| Energy efficiency class          | E                                     |
| Number of luminaires B16A        | 24                                    |
| Net weight [kg]                  | 3.35                                  |
| EAN number                       | 9010506807479                         |

LIGHT DISTRIBUTION CURVE



Energy label



The values are rated values. Power and luminous flux are initially subject to a tolerance of +/- 10%.  
Colour temperature tolerance: +/- 150 K. The values apply to an ambient temperature of 25°C unless otherwise specified.