

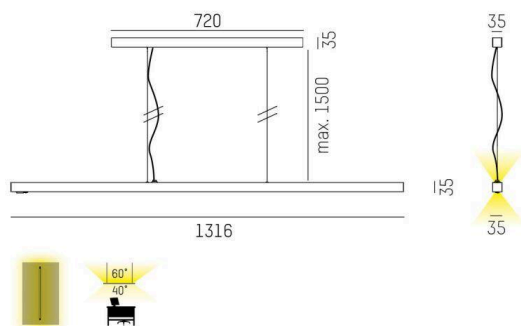
LENS

646-10801032405d

LENS SHORT SINGLE PDI SUSPENSION made of die-cast aluminium, white, similar to RAL 9016, lens optic with anti-glare grid beam for single workplace, light output direct / indirect, UGR <16, with converter, max. 250mA, dimmability: DALI, cable transparent, adapter/ceiling base white matt, pendant length 1500mm, IP20



SKETCH



TECHNICAL DETAILS

| | |
|----------------------------------|---------------------------------------|
| Light source | LED |
| System performance [W] | 44 |
| Luminous flux [lm] | 6124 |
| Current sec. [mA] | 250 |
| Colour temperature | 4000K |
| CRI | >80 |
| UGR | <16 |
| Optics | lens optics with glare control louvre |
| Converter | with converter |
| Dimmability | DALI |
| Light emission area | direct / indirect |
| Beam angle | for single workplace |
| Voltage | 220-240V AC/DC |
| Length [mm] | 1316 |
| Width [mm] | 35 |
| Height [mm] | 35 |
| Length pendant [mm] | 1500 |
| IP protection class | IP20 |
| IP protection class | protection cl. I |
| IK value | IK05 |
| Material | die-cast aluminium |
| Colour of body | white |
| RAL | 9016 |
| Colour of adapter / ceiling base | white |
| Cable | transparent |
| Lifetime [h] | L80 B10 50 000 |
| Energy efficiency class | E |
| Number of luminaires B16A | 18 |
| Net weight [kg] | 3.31 |
| EAN number | 9010506807448 |

LIGHT DISTRIBUTION CURVE



Energy label



The values are rated values. Power and luminous flux are initially subject to a tolerance of +/- 10%.
 Colour temperature tolerance: +/- 150 K. The values apply to an ambient temperature of 25°C unless otherwise specified.