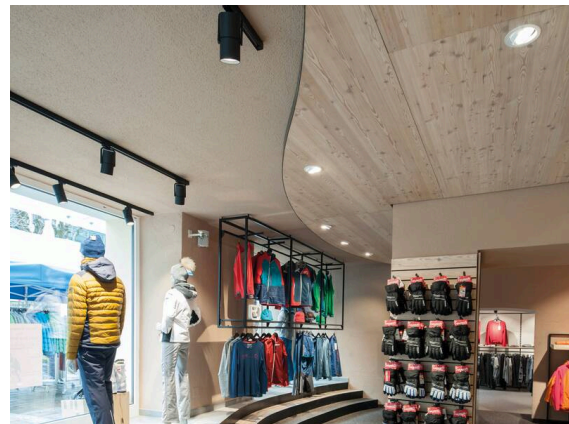


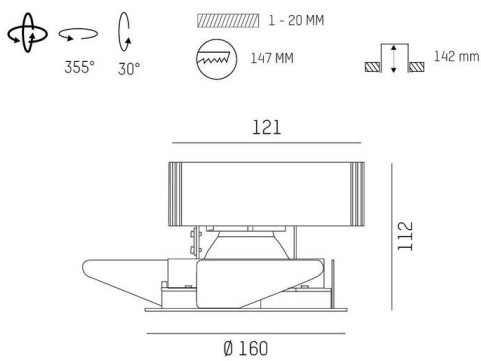
ONLY

619-00201022405v2

ONLY M R RECESSED SPOTLIGHT made of metal, white, similar to RAL 9016, high-efficiently vacuum deposited aluminium reflector beam 17°, light output direct, swiveling 355°, tilting 30°, without converter, max. 700/900/1050mA, dimmability: see converter, IP20



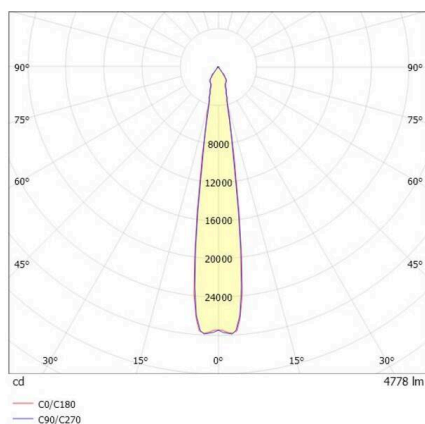
SKETCH



TECHNICAL DETAILS

|                         |                                      |
|-------------------------|--------------------------------------|
| Light source            | LED 23W/30W/36W                      |
| Luminous flux [lm]      | 3350/4190/4780                       |
| Current sec. [mA]       | 700/900/1050                         |
| Colour temperature      | 4000K                                |
| CRI                     | >90                                  |
| Optics                  | vacuum deposited aluminium reflector |
| Converter               | without converter                    |
| Dimmability             | see converter                        |
| Light emission area     | direct                               |
| Beam angle              | 17°                                  |
| Height [mm]             | 112                                  |
| Diameter [mm]           | 160                                  |
| Ceiling cutout [mm]     | 147                                  |
| Ceiling thickness [mm]  | 1-20                                 |
| Mounting depth [mm]     | 142                                  |
| IP protection class     | IP20                                 |
| IP protection class     | protection cl. II                    |
| Material                | metal                                |
| Colour of body          | white                                |
| RAL                     | 9016                                 |
| Lifetime [h]            | L80 B10 50 000                       |
| Energy efficiency class | D                                    |
| Net weight [kg]         | 0.79                                 |
| EAN number              | 9010870135017                        |

LIGHT DISTRIBUTION CURVE



Energy label



The values are rated values. Power and luminous flux are initially subject to a tolerance of +/- 10%.  
Colour temperature tolerance: +/- 150 K. The values apply to an ambient temperature of 25°C unless otherwise specified.