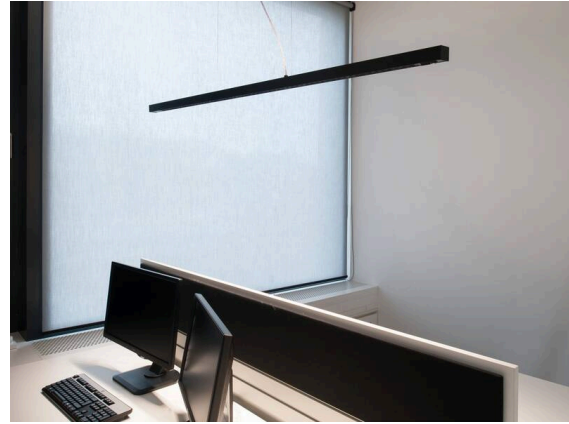
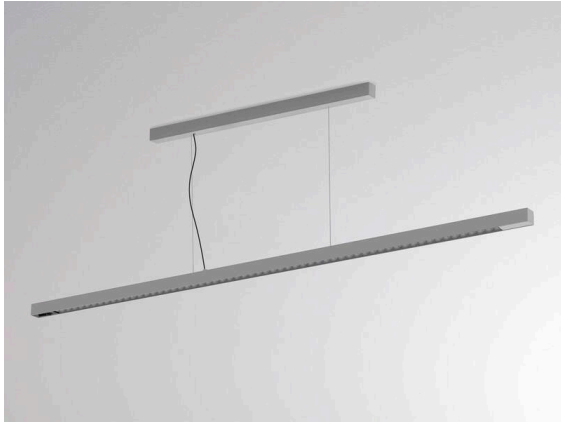


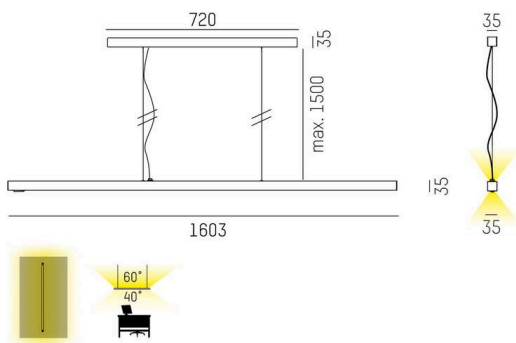
LENS

646-10301032908k

LENS SINGLE PDI SUSPENSION made of die-cast aluminium, natural anodised, similar to RAL 9006, lens optic with anti-glare grid beam for single workplace, light output direct / indirect, UGR <16, with converter, max. 250mA, dimmability: motion daylight, with motion detector and daylight control, cable transparent, adapter/ceiling base white matt, pendant length 1500mm, IP20



SKETCH



TECHNICAL DETAILS

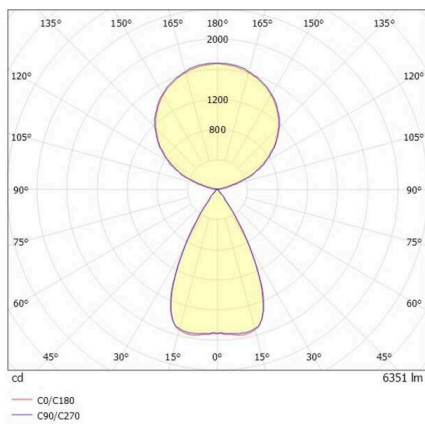
| | |
|------------------------|---|
| Light source | LED |
| System performance [W] | 48 |
| Luminous flux [lm] | 6350 |
| Current sec. [mA] | 250 |
| Colour temperature | 3000K |
| CRI | >80 |
| UGR | <16 |
| Optics | lens optics with glare control louvre |
| Converter | with converter |
| Dimmability | motion daylight |
| Light emission area | direct / indirect |
| Beam angle | for single workplace |
| Voltage | 220-240V AC/DC |
| Motion detector | with motion detector and daylight control |

| | |
|---------------------|------------------|
| Length [mm] | 1603 |
| Width [mm] | 35 |
| Height [mm] | 35 |
| Length pendant [mm] | 1500 |
| IP protection class | IP20 |
| IP protection class | protection cl. I |
| IK value | IK05 |

| | |
|----------------------------------|--------------------|
| Material | die-cast aluminium |
| Colour of body | aluminium anodised |
| RAL | 9006 |
| Colour of adapter / ceiling base | white |
| Cable | transparent |
| Lifetime [h] | L80 B10 50 000 |
| Energy efficiency class | E |
| Number of luminaires B16A | 21 |

| | |
|-----------------|---------------|
| Net weight [kg] | 4.79 |
| EAN number | 9010506806519 |

LIGHT DISTRIBUTION CURVE



Energy label



The values are rated values. Power and luminous flux are initially subject to a tolerance of +/- 10%. Colour temperature tolerance: +/- 150 K. The values apply to an ambient temperature of 25°C unless otherwise specified.