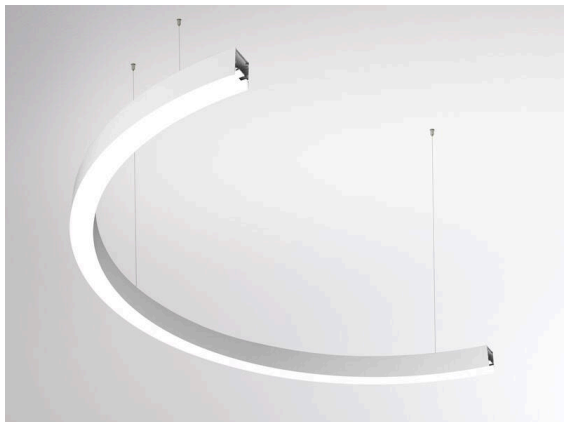


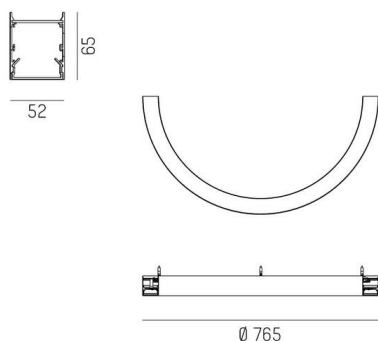
LOG 50 RING

722-03016011140500d

LOG 50 RING 180° PDI SUSPENSION made of aluminium, white, similar to RAL 9016, satined PMMA opal diffuser light output direct / indirect, with converter, max. 340/550mA, dimmability: DALI, through wiring 3x1,5mm² + 2x0,75mm², pendant length 3000mm, IP20



SKETCH



TECHNICAL DETAILS

| | |
|---------------------------|-----------------------------------|
| Light source | LED |
| System performance [W] | 33 |
| Luminous flux [lm] | 4310 |
| Current sec. [mA] | 340/550 |
| Colour temperature | 4000K |
| CRI | >80 |
| Optics | PMMA opal diffuser with converter |
| Converter | with converter |
| Dimmability | DALI |
| Light emission area | direct / indirect |
| Voltage | 220-240V 50/60Hz |
| Through wiring | 3x1,5mm² + 2x0,75mm² |
| Length [mm] | 765 |
| Width [mm] | 52 |
| Height [mm] | 65 |
| Length pendant [mm] | 3000 |
| Diameter [mm] | 765 |
| IP protection class | IP20 |
| IP protection class | protection cl. I |
| IK value | IK03 |
| Material | aluminium |
| Colour of body | white |
| RAL | 9016 |
| Lifetime [h] | L80 B10 50 000 |
| Energy efficiency class | C |
| Number of luminaires B16A | 25 |
| Net weight [kg] | 4.81 |
| EAN number | 9010870227071 |

LIGHT DISTRIBUTION CURVE



Energy label



The values are rated values. Power and luminous flux are initially subject to a tolerance of +/- 10%. Colour temperature tolerance: +/- 150 K. The values apply to an ambient temperature of 25°C unless otherwise specified.