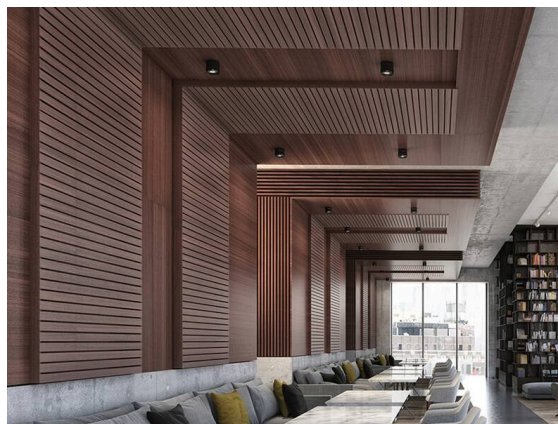


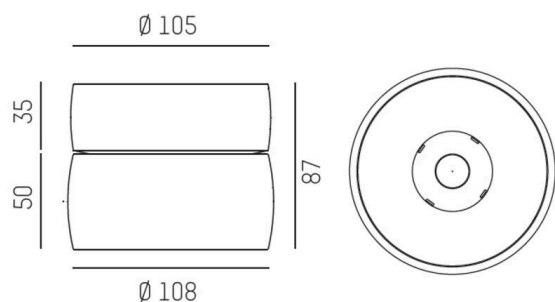
VIBO

668-00201052455d

VIBO SD DIMM SURFACE MOUNTED SPOTLIGHT made of aluminium, white, similar to RAL 9016, stray light-free hexagonal lens beam 23°, light output direct, UGR <16, with converter, max. 500mA, dimmability: DALI, IP20



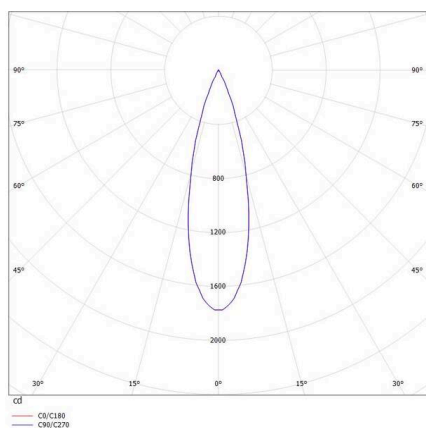
SKETCH



TECHNICAL DETAILS

|                           |                                 |
|---------------------------|---------------------------------|
| Light source              | LED                             |
| System performance [W]    | 8                               |
| Luminous flux [lm]        | 470                             |
| Current sec. [mA]         | 500                             |
| Colour temperature        | 4000K                           |
| CRI                       | >90                             |
| UGR                       | <16                             |
| Optics                    | stray light-free hexagonal lens |
| Converter                 | with converter                  |
| Dimmability               | DALI                            |
| Light emission area       | direct                          |
| Beam angle                | 23°                             |
| Voltage                   | 220-240V 50/60Hz                |
| Height [mm]               | 87                              |
| Diameter [mm]             | 108                             |
| IP protection class       | IP20                            |
| IP protection class       | protection cl. I                |
| Material                  | aluminium                       |
| Colour of body            | white                           |
| RAL                       | 9016                            |
| Lifetime [h]              | L80 B10 50 000                  |
| Energy efficiency class   | G                               |
| Number of luminaires B16A | 50                              |
| Net weight [kg]           | 0.71                            |
| EAN number                | 9008905781896                   |

LIGHT DISTRIBUTION CURVE



Energy label



The values are rated values. Power and luminous flux are initially subject to a tolerance of +/- 10%.  
Colour temperature tolerance: +/- 150 K. The values apply to an ambient temperature of 25°C unless otherwise specified.