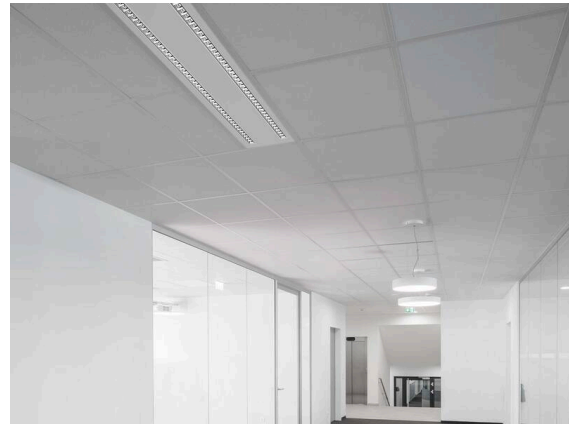
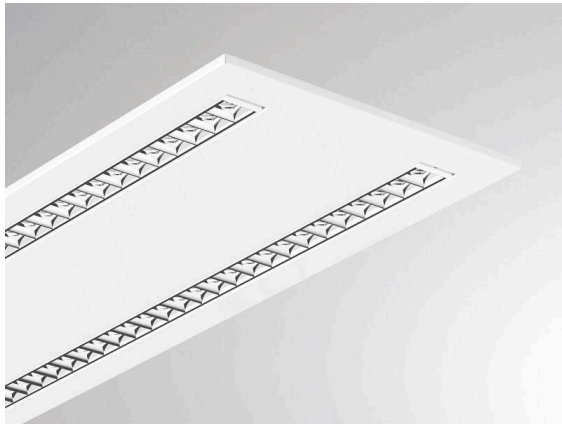


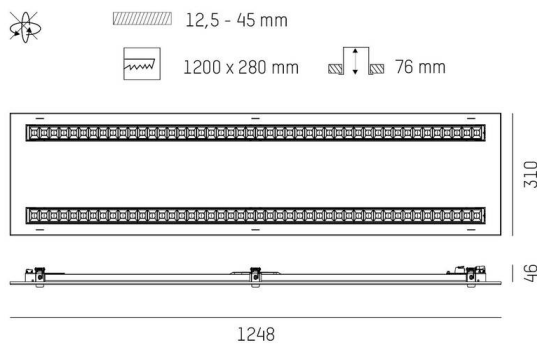
INTERO

225-021205321905d

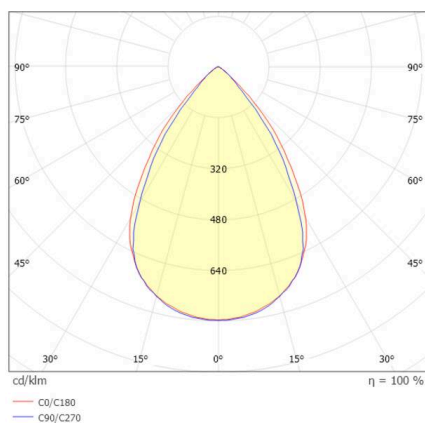
INTERO M625 R RECESSED CEILING LUMINAIRE made of steel sheet, white matt, similar to RAL 9016, Lens optics with vacuum deposited synthetic reflector beam 80°, light output direct, UGR <19, with converter, max. 300-500mA, dimmability: DALI, IP20 with bulb and folding springs,



SKETCH



LIGHT DISTRIBUTION CURVE



TECHNICAL DETAILS

Light source	LOP26 L120
System performance [W]	32-50
Number of sockets	2x
Socket	GR6d-15
Luminous flux [lm]	4210-6882
Current sec. [mA]	300-500
Colour temperature	3000K
CRI	>80
UGR	<19
Optics	Lens optics with vacuum deposited synthetic reflector with converter
Converter	DALI
Dimmability	direct
Light emission area	80°
Beam angle	220-240V 50/60Hz
Voltage	
Length [mm]	1490
Width [mm]	310
Height [mm]	46
Ceiling cutout [mm]	1200x280
Ceiling thickness [mm]	1-25
Mounting depth [mm]	76
IP protection class	IP20
IP protection class	protection cl. II
IK value	IK05
Material	steel sheet
Colour of body	white
RAL	9016
Lifetime [h]	L80 B10 50 000
Energy efficiency class	D
Number of luminaires B16A	36
IFS	False
Net weight [kg]	6.63
EAN number	9010870874350



Energy label



The values are rated values. Power and luminous flux are initially subject to a tolerance of +/- 10%. Colour temperature tolerance: +/- 150 K. The values apply to an ambient temperature of 25°C unless otherwise specified.