

**MAGNETICS**

**708-10202094706d**

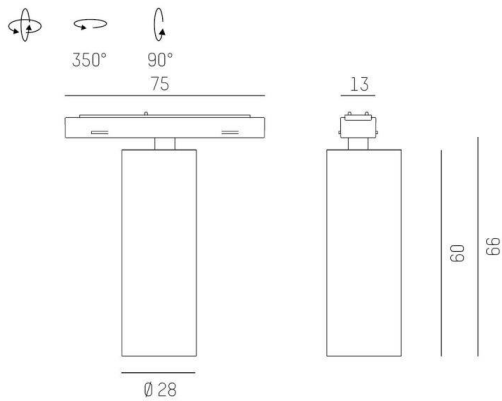
MAGNETICS SPOT M TRACK SPOTLIGHT WITH 24V ADAPTER made of aluminium, black, similar to RAL 9005, vacuum deposited synthetic Dark-reflector beam 38°, light output direct, swiveling 350°, tilting 90°, without converter, max. 265mA, dimmability: DALI, adapter/ceiling base black, IP20



**TECHNICAL DETAILS**

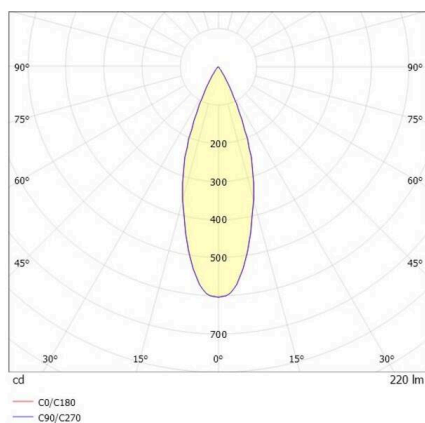
|                                  |   |
|----------------------------------|---|
| Light source                     | LED                                       |
| System performance [W]           | 7   |
| Luminous flux [lm]               | 220                                       |
| Current sec. [mA]                | 265                                       |
| Colour temperature               | 3500K                                     |
| CRI                              | PREMIUM>90                                |
| Optics                           | vacuum deposited synthetic Dark-reflector |
| Converter                        | without converter                         |
| Dimmability                      | DALI                                      |
| Light emission area              | direct                                    |
| Beam angle                       | 38°                                       |
| Voltage                          | 24 VDC                                    |
| Length [mm]                      | 75  |
| Width [mm]                       | 28  |
| Height [mm]                      | 66  |
| Diameter [mm]                    | 28  |
| IP protection class              | IP20                                      |
| IP protection class              | protection cl. III                        |
| IK value                         | IK03                                      |
| Material                         | aluminium                                 |
| Colour of body                   | black                                     |
| RAL                              | 9005                                      |
| Colour of adapter / ceiling base | black                                     |
| Lifetime [h]                     | L80 B10 50 000                            |
| Energy efficiency class          | E   |
| Net weight [kg]                  | 0.35                                      |
| EAN number                       | 9010506957747                             |

**SKETCH**



Energy label

**LIGHT DISTRIBUTION CURVE**



The values are rated values. Power and luminous flux are initially subject to a tolerance of +/- 10%. Colour temperature tolerance: +/- 150 K. The values apply to an ambient temperature of 25°C unless otherwise specified.