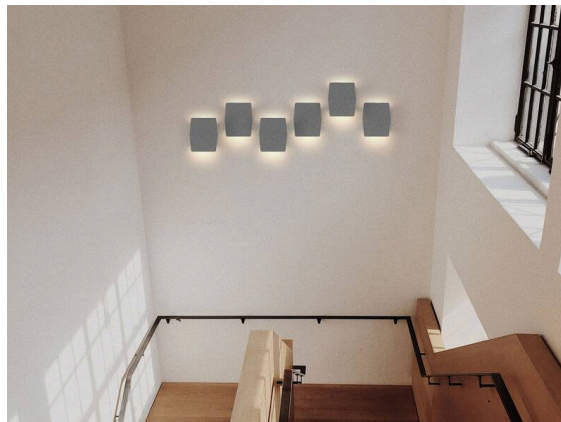
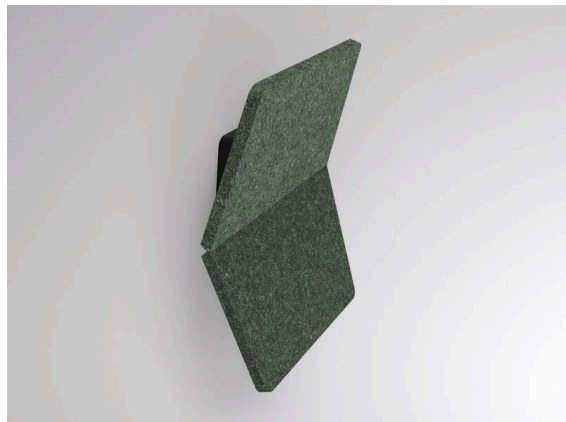


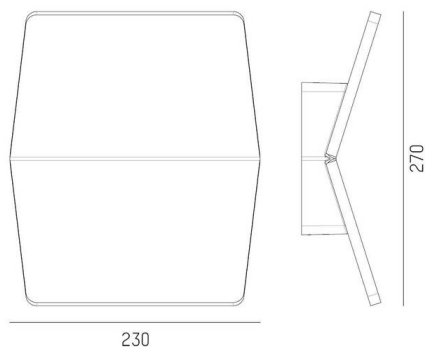
HENDRIK

590-011130400s600

HENDRIK L W SURFACE MOUNTED WALL LUMINAIRE made of aluminium, black, similar to RAL 9005, decor seaweed green, Decorative felt panel made of synthetic polymers OEKO-TEX Standard 100 beam 175°, light output direct / indirect, with converter, dimmability: not dimmable, IP20 Flame retardant according to DIN EN 13501 B-s2, d0,



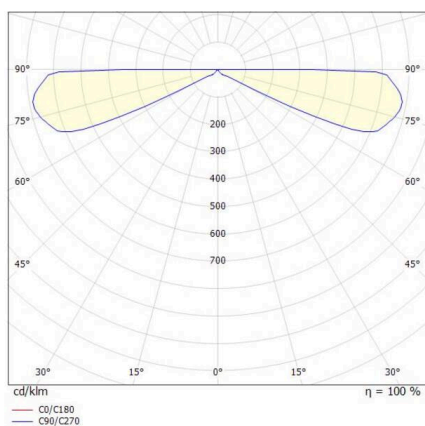
SKETCH



TECHNICAL DETAILS

Light source	LED
System performance [W]	13
Luminous flux [lm]	240
Colour temperature	2700/3000K
CRI	>90
Optics	Decorative felt panel made of synthetic polymers with converter
Converter	not dimmable
Dimmability	direct / indirect
Light emission area	175°
Beam angle	220-240V 50/60Hz
Voltage	
Width [mm]	230
Height [mm]	270
Protrusion [mm]	73
IP protection class	IP20
IP protection class	protection cl. I
Material	aluminium
Colour of body	black
RAL	9005
Colour of decor	seaweed green
Lifetime [h]	L80 B10 50 000
Energy efficiency class	E
Net weight [kg]	0.57
EAN number	9010506466225

LIGHT DISTRIBUTION CURVE



Energy label



The values are rated values. Power and luminous flux are initially subject to a tolerance of +/- 10%. Colour temperature tolerance: +/- 150 K. The values apply to an ambient temperature of 25°C unless otherwise specified.