

MAGNETICS

708-10202024306d

MAGNETICS SPOT M TRACK SPOTLIGHT WITH 24V ADAPTER made of aluminium, black, similar to RAL 9005, high-efficiently vacuum deposited synthetic reflector beam 24°, light output direct, swiveling 350°, tilting 90°, without converter, max. 265mA, dimmability: DALI, adapter/ceiling base black, IP20



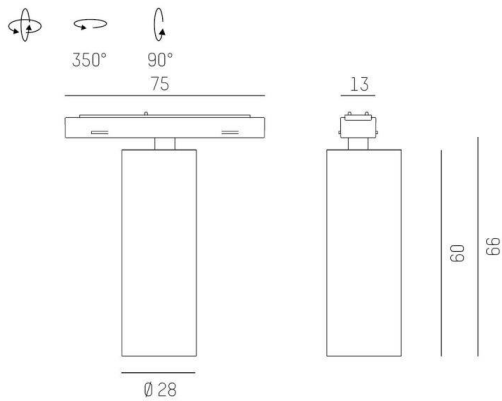
TECHNICAL DETAILS

Light source	LED
System performance [W]	7
Luminous flux [lm]	430
Current sec. [mA]	265
Colour temperature	2700K
CRI	PREMIUM>90
Optics	vacuum deposited synthetic reflector
Converter	without converter
Dimmability	DALI
Light emission area	direct
Beam angle	24°
Voltage	24 VDC

Length [mm]	75
Width [mm]	28
Height [mm]	66
Diameter [mm]	28
IP protection class	IP20
IP protection class	protection cl. III
IK value	IK03

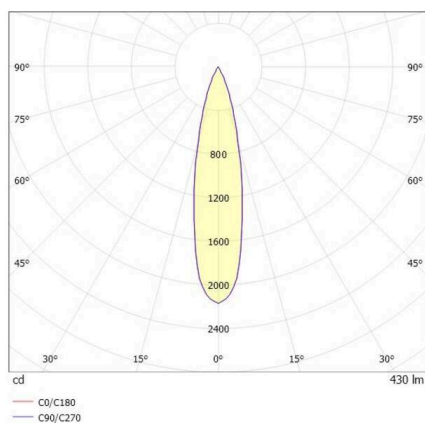
Material	aluminium
Colour of body	black
RAL	9005
Colour of adapter / ceiling base	black
Lifetime [h]	L80 B10 50 000
Energy efficiency class	E
Net weight [kg]	0.35
EAN number	9010506957600

SKETCH



Energy label

LIGHT DISTRIBUTION CURVE



The values are rated values. Power and luminous flux are initially subject to a tolerance of +/- 10%.
 Colour temperature tolerance: +/- 150 K. The values apply to an ambient temperature of 25°C unless otherwise specified.