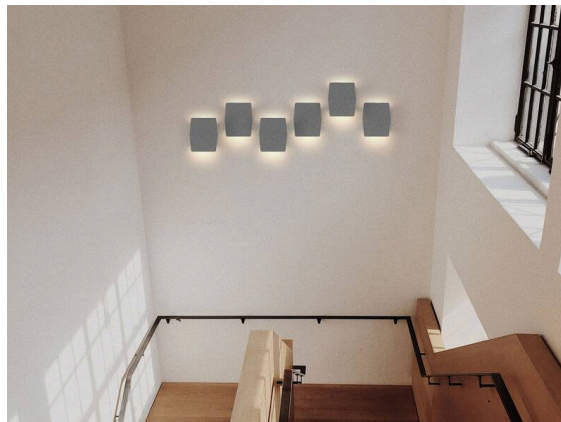
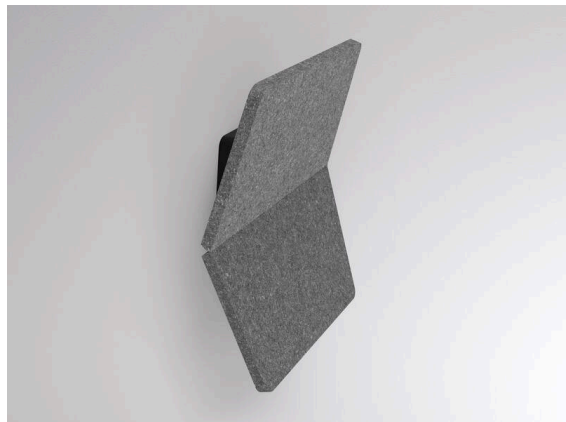


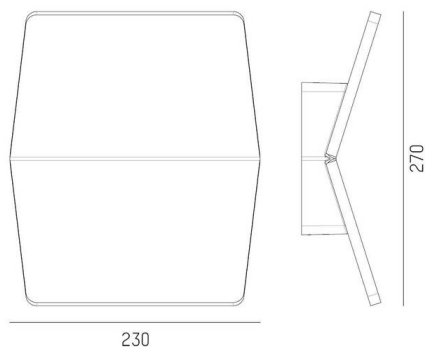
HENDRIK

590-011130300s600

HENDRIK L W SURFACE MOUNTED WALL LUMINAIRE made of aluminium, black, similar to RAL 9005, decor light grey, Decorative felt panel made of synthetic polymers OEKO-TEX Standard 100 beam 175°, light output direct / indirect, with converter, dimmability: not dimmable, IP20 Flame retardant according to DIN EN 13501 B-s2, d0,



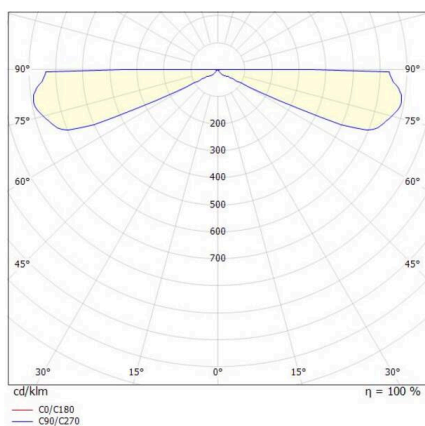
SKETCH



TECHNICAL DETAILS

| | |
|-------------------------|-----------------------------------------------------------------|
| Light source | LED |
| System performance [W] | 13 |
| Luminous flux [lm] | 240 |
| Colour temperature | 2700/3000K |
| CRI | >90 |
| Optics | Decorative felt panel made of synthetic polymers with converter |
| Converter | not dimmable |
| Dimmability | direct / indirect |
| Light emission area | 175° |
| Beam angle | 220-240V 50/60Hz |
| Voltage | |
| Width [mm] | 230 |
| Height [mm] | 270 |
| Protrusion [mm] | 73 |
| IP protection class | IP20 |
| IP protection class | protection cl. I |
| Material | aluminium |
| Colour of body | black |
| RAL | 9005 |
| Colour of decor | light grey |
| Lifetime [h] | L80 B10 50 000 |
| Energy efficiency class | E |
| Net weight [kg] | 0.57 |
| EAN number | 9010506466218 |

LIGHT DISTRIBUTION CURVE



Energy label



The values are rated values. Power and luminous flux are initially subject to a tolerance of +/- 10%. Colour temperature tolerance: +/- 150 K. The values apply to an ambient temperature of 25°C unless otherwise specified.