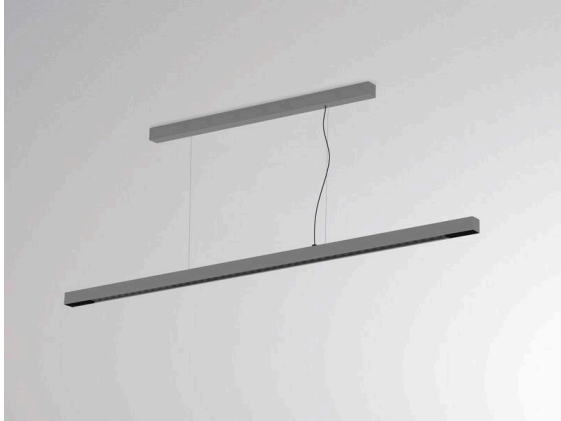


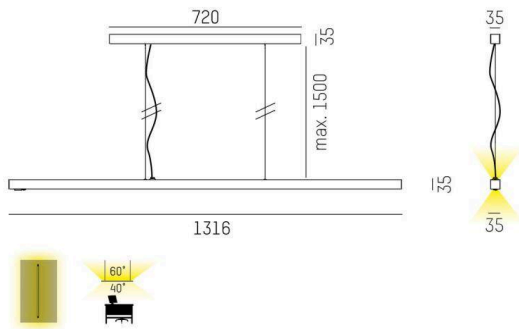
LENS

646-20801032408m

LENS SHORT SINGLE PDI SUSPENSION made of die-cast aluminium, natural anodised, similar to RAL 9006, lens optic with anti-glare grid beam for single workplace, light output direct / indirect, UGR <16, with converter, max. 250mA, dimmability: motion swarm, with motion detector, day light control and swarm function, cable transparent, adapter/ceiling base grey, pendant length 1500mm, IP20 out of the box mode - with activated daylight control and motion detection



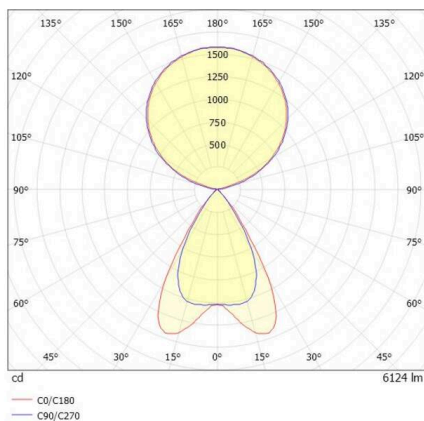
SKETCH



TECHNICAL DETAILS

|                                  |  |
|----------------------------------|--|
| Light source                     | LED  |
| System performance [W]           | 44   |
| Luminous flux [lm]               | 6124   |
| Current sec. [mA]                | 250  |
| Colour temperature               | 4000K  |
| CRI                              | >80  |
| UGR                              | <16  |
| Optics                           | lens optics with glare control louvre                      |
| Converter                        | with converter   |
| Dimmability                      | motion swarm   |
| Light emission area              | direct / indirect  |
| Beam angle                       | for single workplace                                       |
| Voltage                          | 220-240V AC/DC   |
| Motion detector                  | with motion detector, day light control and swarm function |
| Length [mm]                      | 1316   |
| Width [mm]                       | 35   |
| Height [mm]                      | 35   |
| Length pendant [mm]              | 1500   |
| IP protection class              | IP20   |
| IP protection class              | protection cl. I   |
| IK value                         | IK05   |
| Material                         | die-cast aluminium   |
| Colour of body                   | aluminium anodised   |
| RAL                              | 9006   |
| Colour of adapter / ceiling base | grey   |
| Cable                            | transparent  |
| Lifetime [h]                     | L80 B10 50 000   |
| Energy efficiency class          | E  |
| Number of luminaires B16A        | 21   |
| Net weight [kg]                  | 4.21   |
| EAN number                       | 9010506848168  |

LIGHT DISTRIBUTION CURVE



Energy label



The values are rated values. Power and luminous flux are initially subject to a tolerance of +/- 10%. Colour temperature tolerance: +/- 150 K. The values apply to an ambient temperature of 25°C unless otherwise specified.