

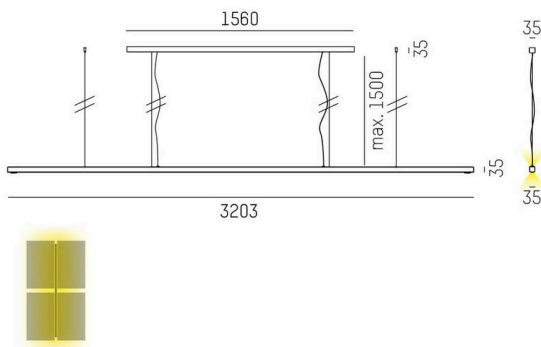
LENS

646-20502052908m

LENS QUAD PDI SUSPENSION made of die-cast aluminium, natural anodised, similar to RAL 9006, lens optic with anti-glare grid beam for quadruple workplace, light output direct / indirect, UGR <16, with converter, max. 525mA, dimmability: motion swarm, with motion detector, day light control and swarm function, cable transparent, adapter/ceiling base grey, pendant length 1500mm, IP20 out of the box mode - with activated daylight control and motion detection



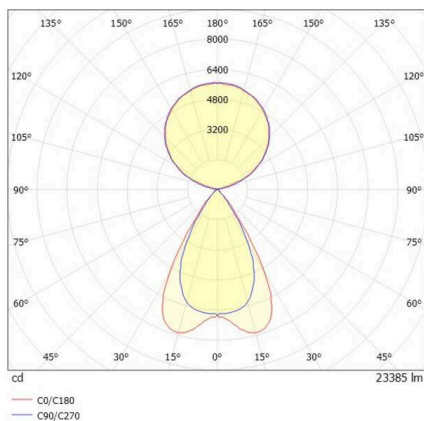
SKETCH



TECHNICAL DETAILS

| | |
|----------------------------------|--|
| Light source | LED |
| System performance [W] | 200 |
| Luminous flux [lm] | 23380 |
| Current sec. [mA] | 525 |
| Colour temperature | 3000K |
| CRI | >80 |
| UGR | <16 |
| Optics | lens optics with glare control louvre |
| Converter | with converter |
| Dimmability | motion swarm |
| Light emission area | direct / indirect |
| Beam angle | for quadruple workplace |
| Voltage | 220-240V AC/DC |
| Motion detector | with motion detector, day light control and swarm function |
| Length [mm] | 3203 |
| Width [mm] | 35 |
| Height [mm] | 35 |
| Length pendant [mm] | 1500 |
| IP protection class | IP20 |
| IP protection class | protection cl. I |
| IK value | IK05 |
| Material | die-cast aluminium |
| Colour of body | aluminium anodised |
| RAL | 9006 |
| Colour of adapter / ceiling base | grey |
| Cable | transparent |
| Lifetime [h] | L80 B10 50 000 |
| Energy efficiency class | E |
| Number of luminaires B16A | 18 |
| Net weight [kg] | 9.90 |
| EAN number | 9010506848076 |

LIGHT DISTRIBUTION CURVE



Energy label



The values are rated values. Power and luminous flux are initially subject to a tolerance of +/- 10%. Colour temperature tolerance: +/- 150 K. The values apply to an ambient temperature of 25°C unless otherwise specified.