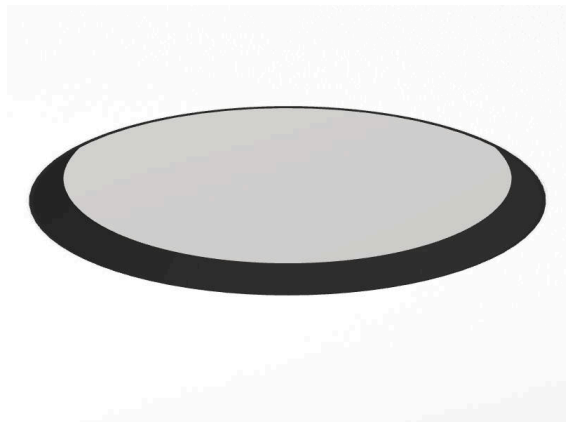


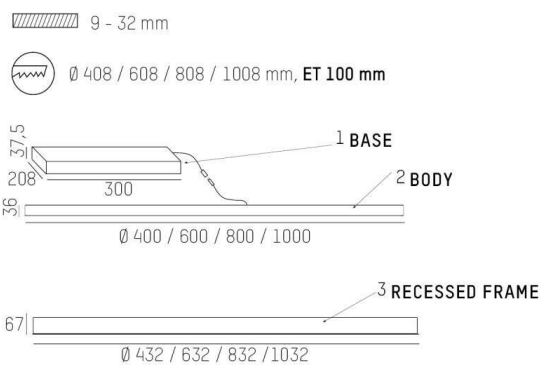
BINA

698-311321902050

BINA R TRIMLESS ROUND RECESSED CEILING LUMINAIRE made of aluminium, white, similar to RAL 9016, decor black, satined PMMA opal diffuser light output direct, with converter, max. 1050mA, IP20



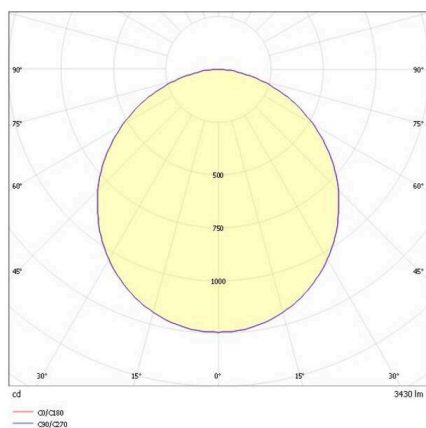
SKETCH



TECHNICAL DETAILS

Light source	LED
System performance [W]	30
Luminous flux [lm]	3430
Current sec. [mA]	1050
Colour temperature	3000K
CRI	>80
Optics	PMMA opal diffuser
Converter	with converter
Light emission area	direct
Voltage	220-240V 50/60Hz
Height [mm]	65
Diameter [mm]	400
Ceiling cutout [mm]	408
Ceiling thickness [mm]	9-32
Mounting depth [mm]	100
IP protection class	IP20
IP protection class	protection cl. I
Material	aluminium
Colour of body	white
RAL	9016
Colour of decor	black
Lifetime [h]	L80 B10 50 000
Number of luminaires B16A	50
Net weight [kg]	5.51
EAN number	9010506856811

LIGHT DISTRIBUTION CURVE



Energy label



The values are rated values. Power and luminous flux are initially subject to a tolerance of +/- 10%.
Colour temperature tolerance: +/- 150 K. The values apply to an ambient temperature of 25°C unless otherwise specified.