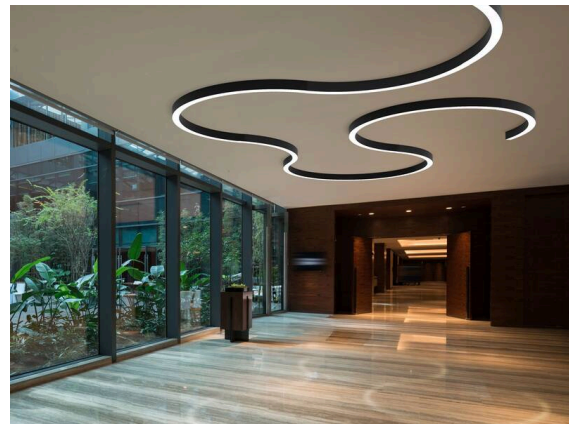
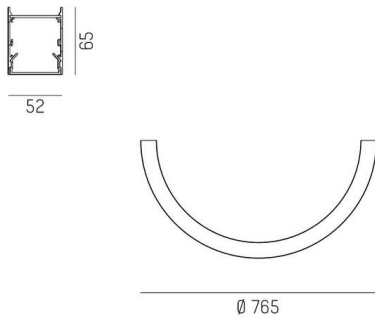


LOG 50 RING

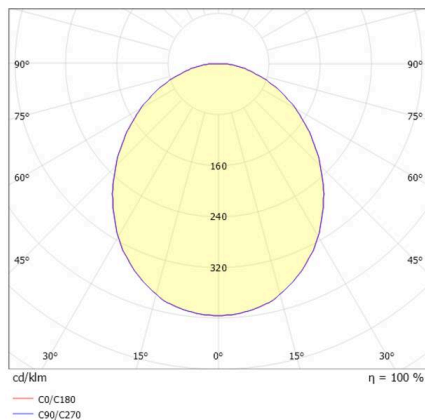
722-01018021130500d

LOG 50 RING 180° SD WALL / CEILING LUMINAIRE made of aluminium, white, similar to RAL 9016, satined PMMA opal diffuser light output direct, with converter, max. 700mA, dimmability: DALI, through wiring 3x1,5mm² + 2x0,75mm², IP20

SKETCH



LIGHT DISTRIBUTION CURVE



TECHNICAL DETAILS

Light source	LED
System performance [W]	52
Luminous flux [lm]	6670
Current sec. [mA]	700
Colour temperature	2700K
CRI	>80
Optics	PMMA opal diffuser
Converter	with converter
Dimmability	DALI
Light emission area	direct
Voltage	220-240V 50/60Hz
Through wiring	3x1,5mm ² + 2x0,75mm ²
Length [mm]	1480
Width [mm]	52
Height [mm]	65
Diameter [mm]	1480
IP protection class	IP20
IP protection class	protection cl. I
IK value	IK03
Material	aluminium
Colour of body	white
RAL	9016
Lifetime [h]	L80 B10 50 000
Energy efficiency class	C
Number of luminaires B16A	50
Net weight [kg]	5.60
EAN number	9010870234130



Energy label



The values are rated values. Power and luminous flux are initially subject to a tolerance of +/- 10%.
Colour temperature tolerance: +/- 150 K. The values apply to an ambient temperature of 25°C unless otherwise specified.