

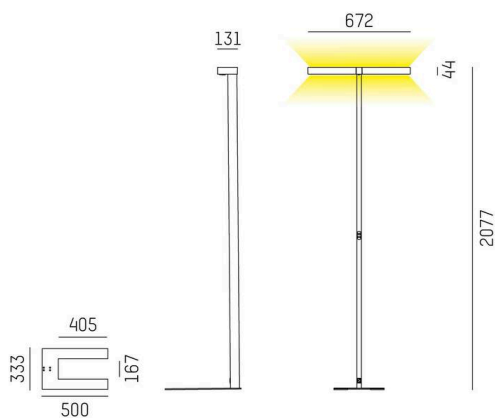
CONCEPT

723-00113031466k

CONCEPT DOUBLE F FLOOR LAMP made of aluminium, black, similar to RAL 9005, microfaceted free-form reflector beam for double workplace, light output direct / indirect 30:70, UGR <19, with converter, max. 1500mA, dimmability: motion daylight, with motion detector and daylight control, cable black, IP20 Membrane switch with USB connection (max.1A)



SKETCH



TECHNICAL DETAILS

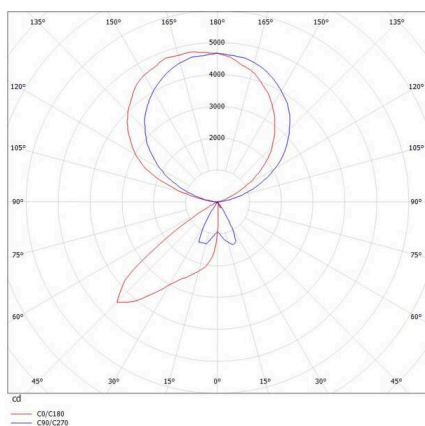
Light source	LED
System performance [W]	140
Luminous flux [lm]	15420
Current sec. [mA]	1500
Colour temperature	4000K
CRI	>80
UGR	<19
Optics	microfaceted free-form reflector
Converter	with converter
Dimmability	motion daylight
Light emission area	direct / indirect 30:70
Beam angle	for double workplace
Voltage	220-240V AC/DC
Motion detector	with motion detector and daylight control

Length [mm]	672
Width [mm]	131
Height [mm]	2077
IP protection class	IP20
IP protection class	protection cl. I

Material	aluminium
Colour of body	black
RAL	9005
Cable	black
Lifetime [h]	L80 B10 50 000
Energy efficiency class	D
Number of luminaires B16A	18

Net weight [kg]	15.23
EAN number	9010506338133

LIGHT DISTRIBUTION CURVE



Energy label



The values are rated values. Power and luminous flux are initially subject to a tolerance of +/- 10%.  
Colour temperature tolerance: +/- 150 K. The values apply to an ambient temperature of 25°C unless otherwise specified.