

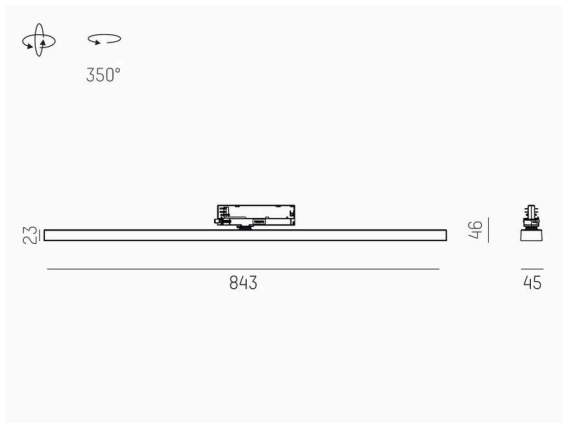
VARIDO 2

149-00101021305c

VARIDO 2 BASIC TRACK TRACK SPOTLIGHT WITH 3 PH ADAPTER made of steel sheet, white, similar to RAL 9016, Lens optics with vacuum deposited synthetic reflector beam 66°, light output direct, UGR <19, swiveling 350°, with converter, max. 850mA, dimmability: Casambi, adapter/ceiling base white, IP20



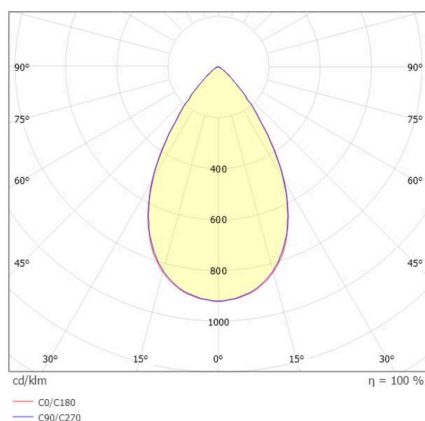
SKETCH



TECHNICAL DETAILS

| | |
|----------------------------------|--|
| Light source | LED |
| System performance [W] | 32 |
| Luminous flux [lm] | 4165 |
| Current sec. [mA] | 850 |
| Colour temperature | 2700K |
| CRI | >80 |
| UGR | <19 |
| Optics | Lens optics with vacuum deposited synthetic reflector with converter |
| Converter | Casambi |
| Dimmability | direct |
| Light emission area | 66° |
| Beam angle | 220-240V 50/60Hz |
| Voltage | |
| Length [mm] | 844 |
| Width [mm] | 54 |
| Height [mm] | 24 |
| IP protection class | IP20 |
| IP protection class | protection cl. II |
| Material | steel sheet |
| Colour of body | white |
| RAL | 9016 |
| Colour of adapter / ceiling base | white |
| Lifetime [h] | L80 B10 50 000 |
| Energy efficiency class | C |
| Number of luminaires B16A | 50 |
| Net weight [kg] | 1.50 |
| EAN number | 9010870827295 |

LIGHT DISTRIBUTION CURVE



Energy label



The values are rated values. Power and luminous flux are initially subject to a tolerance of +/- 10%. Colour temperature tolerance: +/- 150 K. The values apply to an ambient temperature of 25°C unless otherwise specified.