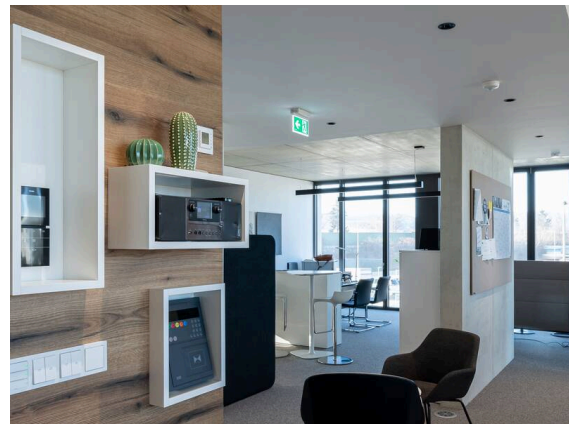


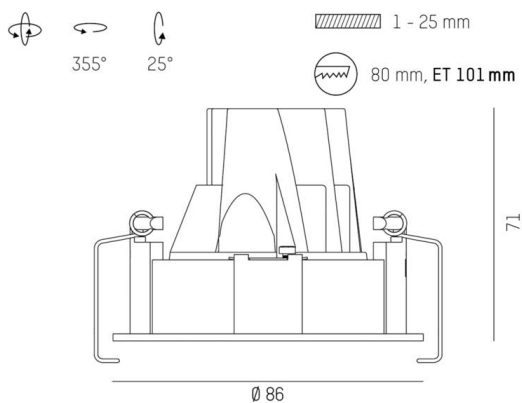
DARK NIGHT

684-00403084905v1

DARK NIGHT TURN XS R RECESSED SPOTLIGHT made of aluminium, white, similar to RAL 9016, decor black lacquer, high-efficiently vacuum deposited aluminium reflector beam 60°, light output direct, UGR <19, swiveling 355°, tilting 25°, without converter, max. 250/350mA, dimmability: see converter, IP20



SKETCH



TECHNICAL DETAILS

| | |
|-------------------------|--------------------------------------|
| Light source | LED 9/13W |
| Luminous flux [lm] | 870/1170 |
| Current sec. [mA] | 250/350 |
| Colour temperature | 3000K |
| CRI | PREMIUM>90 |
| UGR | <19 |
| Optics | vacuum deposited aluminium reflector |
| Converter | without converter |
| Dimmability | see converter |
| Light emission area | direct |
| Beam angle | 60° |
| Length [mm] | 86 |
| Height [mm] | 71 |
| Diameter [mm] | 86 |
| Ceiling cutout [mm] | 80 |
| Ceiling thickness [mm] | 1-25 |
| Mounting depth [mm] | 101 |
| IP protection class | IP20 |
| IP protection class | protection cl. II |
| IK value | IK02 |
| Material | aluminium |
| Colour of body | white |
| RAL | 9016 |
| Colour of decor | black lacquer |
| Lifetime [h] | L80 B10 50 000 |
| Energy efficiency class | E |
| Net weight [kg] | 0.34 |
| EAN number | 9010506862447 |

LIGHT DISTRIBUTION CURVE



Energy label



The values are rated values. Power and luminous flux are initially subject to a tolerance of +/- 10%.
Colour temperature tolerance: +/- 150 K. The values apply to an ambient temperature of 25°C unless otherwise specified.