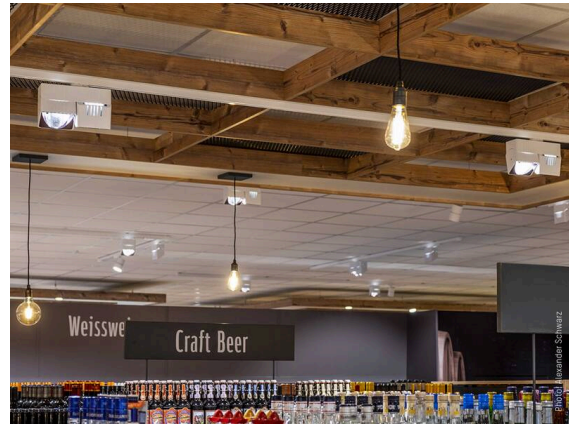
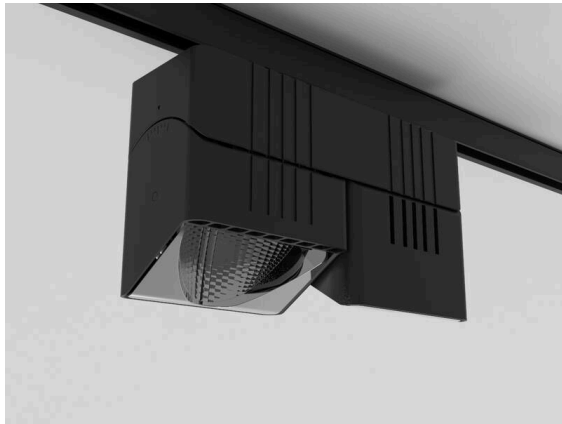


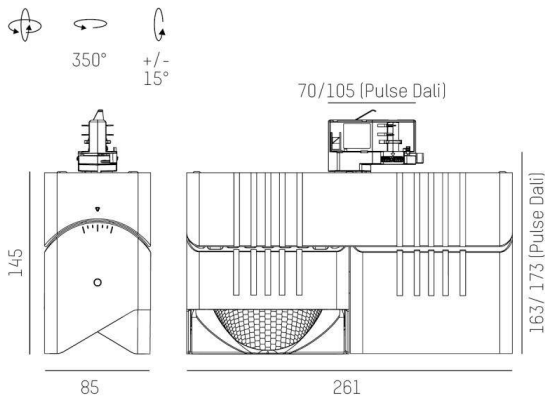
ARTIS

704-112010284060v1

ARTIS 2 TRACK TRACK SPOTLIGHT WITH 3 PH ADAPTER made of aluminium, black, similar to RAL 9005, high-efficiently vacuum deposited synthetic reflector beam double asymmetric, light output direct, swiveling 350°, tilting +/- 15°, with converter, max. 800mA, dimmability: not dimmable, adapter/ceiling base black, IP20 with the option of attaching the Lightguider for lighting the 3rd level



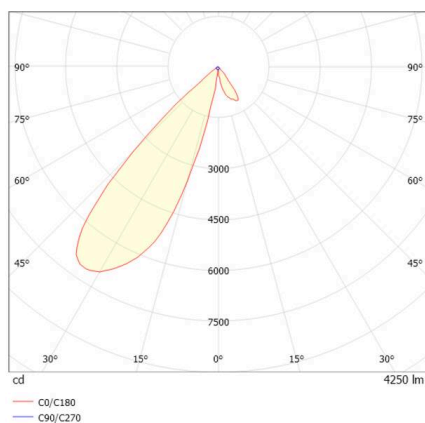
SKETCH



TECHNICAL DETAILS

Light source	LED
System performance [W]	64
Luminous flux [lm]	8500
Current sec. [mA]	800
Colour temperature	4000K
CRI	HE>90
Optics	vacuum deposited synthetic reflector
Converter	with converter
Dimmability	not dimmable
Light emission area	direct
Beam angle	double asymmetric
Voltage	220-240V 50/60Hz
Length [mm]	261
Width [mm]	85
Height [mm]	163
IP protection class	IP20
IP protection class	protection cl. I
Material	aluminium
Colour of body	black
RAL	9005
Colour of adapter / ceiling base	black
Lifetime [h]	L80 B10 50 000
Energy efficiency class	D
Number of luminaires B16A	50
Net weight [kg]	2.07
EAN number	9010870316164

LIGHT DISTRIBUTION CURVE



Energy label



The values are rated values. Power and luminous flux are initially subject to a tolerance of +/- 10%.  
Colour temperature tolerance: +/- 150 K. The values apply to an ambient temperature of 25°C unless otherwise specified.