

ARTIS

704-21211024706v1

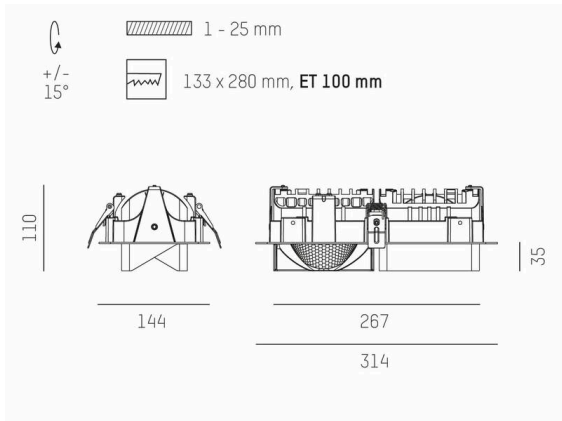
ARTIS 2 SINGLE SHELF R RECESSED SPOTLIGHT made of aluminium, black, similar to RAL 9005, high-efficiently vacuum deposited synthetic reflector beam reflector for gondola head, light output direct, tilting 30°, without converter, max. 1050mA, dimmability: see converter, IP20



TECHNICAL DETAILS

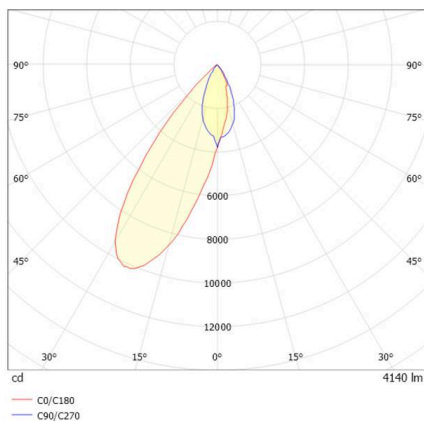
| | |
|-------------------------|--------------------------------------|
| Light source | LED 80W |
| Luminous flux [lm] | 8280 |
| Current sec. [mA] | 1050 |
| Colour temperature | 3500K |
| CRI | PREMIUM>90 |
| Optics | vacuum deposited synthetic reflector |
| Converter | without converter |
| Dimmability | see converter |
| Light emission area | direct |
| Beam angle | reflector for gondola head |
| Length [mm] | 314 |
| Width [mm] | 144 |
| Height [mm] | 110/35 |
| Ceiling cutout [mm] | 133x280 |
| Ceiling thickness [mm] | 1-25 |
| Mounting depth [mm] | 100 |
| IP protection class | IP20 |
| IP protection class | protection cl. II |
| Material | aluminium |
| Colour of body | black |
| RAL | 9005 |
| Lifetime [h] | L80 B10 50 000 |
| Energy efficiency class | E |
| Net weight [kg] | 1.41 |
| EAN number | 9010870354531 |

SKETCH



Energy label

LIGHT DISTRIBUTION CURVE



The values are rated values. Power and luminous flux are initially subject to a tolerance of +/- 10%.
 Colour temperature tolerance: +/- 150 K. The values apply to an ambient temperature of 25°C unless otherwise specified.