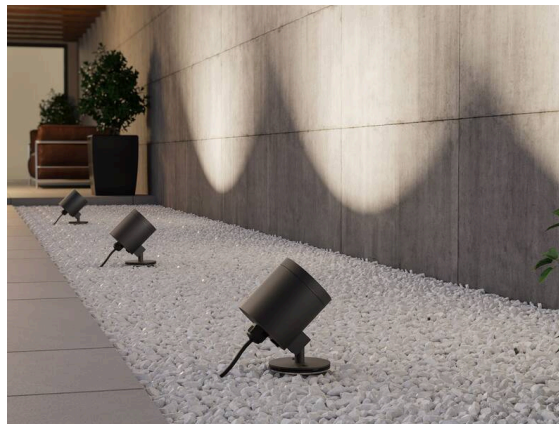


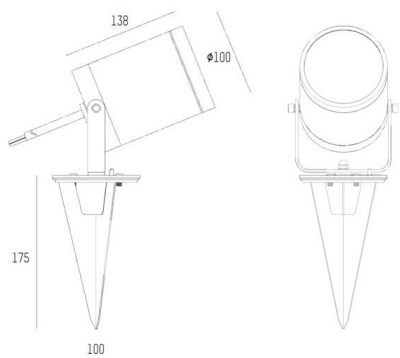
FORIS

333-00112

FORIS ROUND F SURFACE MOUNTED SPOTLIGHT made of aluminium, anthrazite, similar to RAL 7024, high-efficiently vacuum deposited aluminium reflector without safety glass beam 55°, accessoire: ground spike, light output direct, UGR <22, swiveling 140°, tilting 20°, with converter, max. 500mA, dimmability: on/off, IP66 cable lenght 2000mm,



SKETCH



TECHNICAL DETAILS

Light source	LED
System performance [W]	11
Luminous flux [lm]	900/970lm
Current sec. [mA]	500
Colour temperature	2700/3000K
CRI	>90
UGR	<22
Optics	aluminium reflector without protection glass
Converter	with converter
Dimmability	on/off
Light emission area	direct
Beam angle	55°
Voltage	220-240V 50/60Hz
Length [mm]	138
Diameter [mm]	100
IP protection class	IP66
IP protection class	protection cl. I
IK value	IK06
Material	aluminium
Colour of body	anthrazite
RAL	7024
Lifetime [h]	L80 B10 50 000
Ambient temperature	from -20° to +40°
Energy efficiency class	D
Number of luminaires B16A	74
Net weight [kg]	1.71
EAN number	9010979517615



Energy label



The values are rated values. Power and luminous flux are initially subject to a tolerance of +/- 10%.
Colour temperature tolerance: +/- 150 K. The values apply to an ambient temperature of 25°C unless otherwise specified.