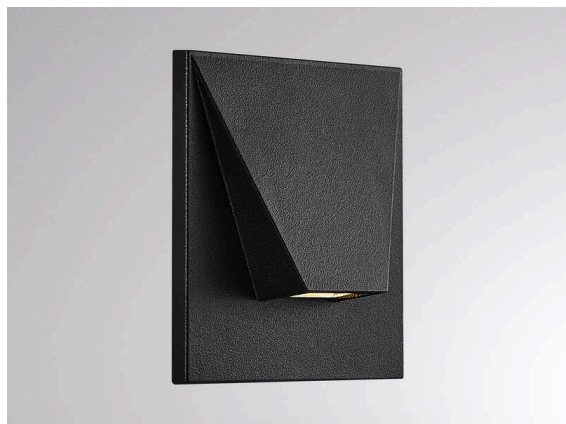


WALL 68R

222-s00301

WALL 68R QUAD RECESSED WALL LUMINAIRE made of aluminium, black, similar to RAL 9005, beam asymmetric, with converter, dimmability: on/off Multilumen, IP44/IP20



TECHNICAL DETAILS

Light source	LED
System performance [W]	4
Luminous flux [lm]	25
Colour temperature	2700K/3000K/4000K
CRI	>90
Converter	with converter
Dimmability	on/off Multilumen
Beam angle	asymmetric
Voltage	220-240V 50/60Hz

Length [mm]	75
Width [mm]	75
Height [mm]	32,2
Ceiling cutout [mm]	68
Mounting depth [mm]	60
IP protection class	IP44/IP20
IP protection class	protection cl. I

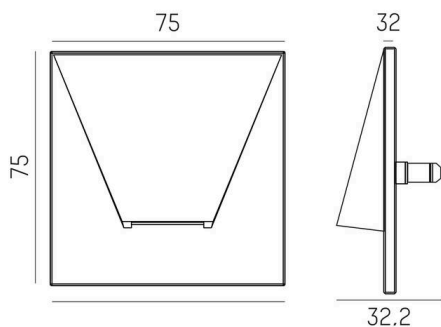
Material	aluminium
Colour of body	black
RAL	9005
Energy efficiency class	F
Number of luminaires B16A	56

Net weight [kg]	0.13
EAN number	9010979802391

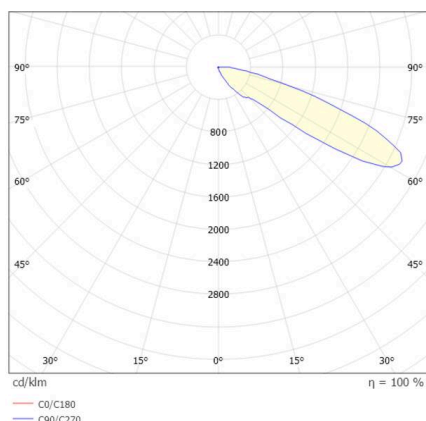


Energy label

SKETCH



LIGHT DISTRIBUTION CURVE



The values are rated values. Power and luminous flux are initially subject to a tolerance of +/- 10%.
 Colour temperature tolerance: +/- 150 K. The values apply to an ambient temperature of 25°C unless otherwise specified.