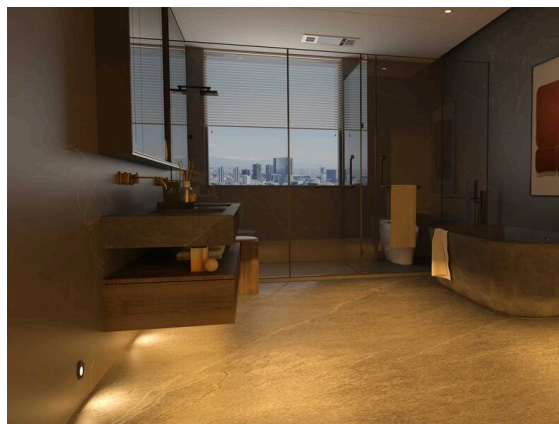


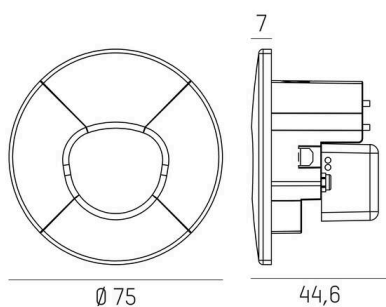
WALL 68R

222-00106

WALL 68R SINA IP RECESSED WALL LUMINAIRE made of aluminium, black, similar to RAL 9005, transparent glass beam asymmetric, light output direct, with converter, dimmability: on/off Multilumen, through wiring 3x1,5mm², IP44/IP20



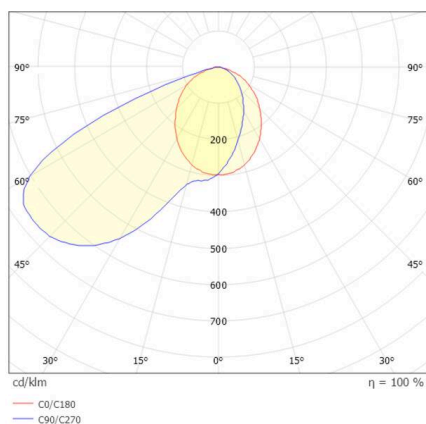
SKETCH



TECHNICAL DETAILS

| | |
|---------------------------|-----------------------|
| Light source | LED |
| System performance [W] | 4 |
| Luminous flux [lm] | 130 |
| Colour temperature | 2700K / 3000K / 4000K |
| CRI | >90 |
| Optics | transparent glass |
| Converter | with converter |
| Dimmability | on/off Multilumen |
| Light emission area | direct |
| Beam angle | asymmetric |
| Voltage | 220-240V 50/60Hz |
| Through wiring | 3x1,5mm² |
| Height [mm] | 44,6 |
| Diameter [mm] | 75 |
| Ceiling cutout [mm] | 68 |
| Mounting depth [mm] | 60 |
| IP protection class | IP44/IP20 |
| IP protection class | protection cl. I |
| IK value | IK04 |
| Material | aluminium |
| Colour of body | black |
| RAL | 9005 |
| Energy efficiency class | F |
| Number of luminaires B16A | 56 |
| Net weight [kg] | 0.17 |
| EAN number | 9010870528123 |

LIGHT DISTRIBUTION CURVE



Energy label



The values are rated values. Power and luminous flux are initially subject to a tolerance of +/- 10%.
Colour temperature tolerance: +/- 150 K. The values apply to an ambient temperature of 25°C unless otherwise specified.