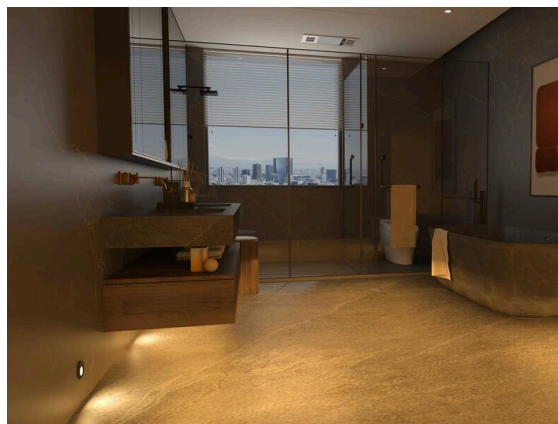
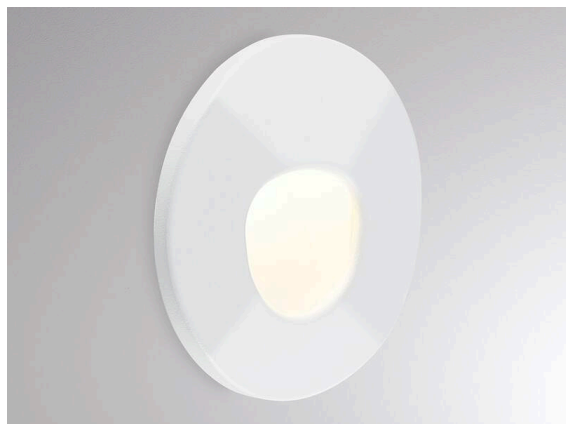


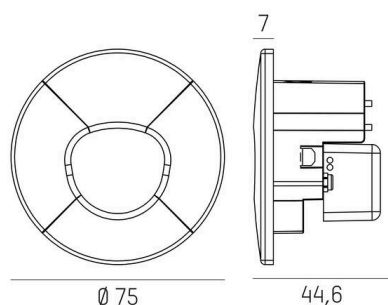
WALL 68R

222-00105

WALL 68R SINA IP RECESSED WALL LUMINAIRE made of aluminium, white, similar to RAL 9003, transparent glass beam asymmetric, light output direct, with converter, dimmability: on/off Multilumen, through wiring 3x1,5mm², IP44/IP20



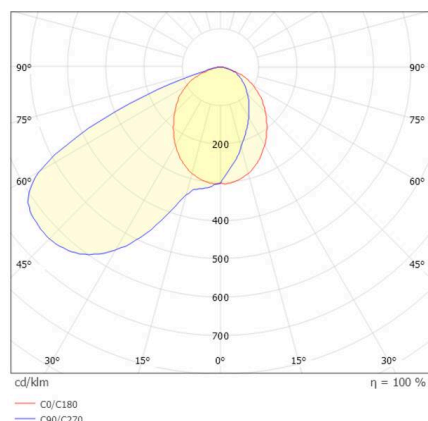
SKETCH



TECHNICAL DETAILS

Light source	LED
System performance [W]	4
Luminous flux [lm]	140
Colour temperature	2700K/3000K/4000K
CRI	>90
Optics	transparent glass
Converter	with converter
Dimmability	on/off Multilumen
Light emission area	direct
Beam angle	asymmetric
Voltage	220-240V 50/60Hz
Through wiring	3x1,5mm ²
Height [mm]	44,6
Diameter [mm]	75
Ceiling cutout [mm]	68
Mounting depth [mm]	60
IP protection class	IP44/IP20
IP protection class	protection cl. I
IK value	IK04
Material	aluminium
Colour of body	white
RAL	9003
Energy efficiency class	F
Number of luminaires B16A	56
Net weight [kg]	0.17
EAN number	9010870528048

LIGHT DISTRIBUTION CURVE



Energy label



The values are rated values. Power and luminous flux are initially subject to a tolerance of +/- 10%.
 Colour temperature tolerance: +/- 150 K. The values apply to an ambient temperature of 25°C unless otherwise specified.