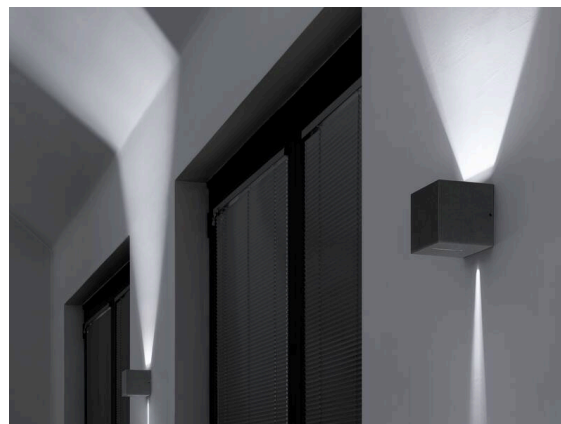
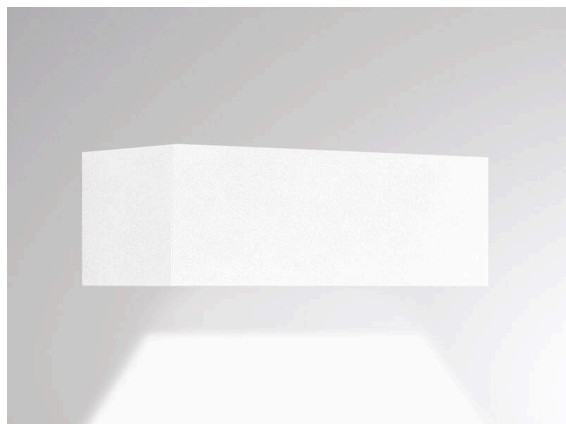


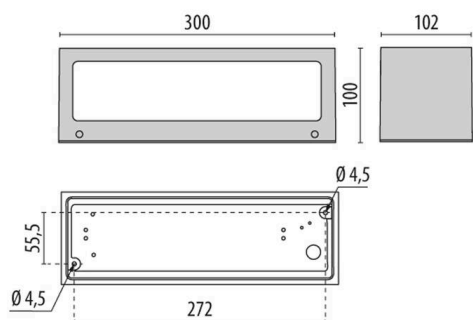
KODA

333-00065

KODA THIRTY ONE SURFACE MOUNTED WALL LUMINAIRE made of aluminium, white, similar to RAL 9003, light output direct, with converter, dimmability: on/off, IP65



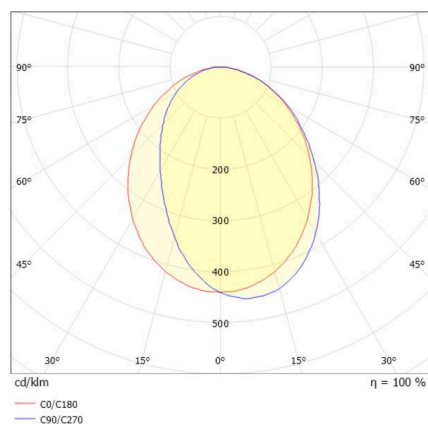
SKETCH



TECHNICAL DETAILS

Light source	LED
System performance [W]	20
Luminous flux [lm]	936
Colour temperature	3000K
CRI	>80
Converter	with converter
Dimmability	on/off
Light emission area	direct
Voltage	220-240V 50/60Hz
Length [mm]	300
Width [mm]	100
Height [mm]	100
IP protection class	IP65
IP protection class	protection cl. I
IK value	IK06
Material	aluminium
Colour of body	white
RAL	9003
Lifetime [h]	L80 B10 50 000
Ambient temperature	from -20° to +35°
Energy efficiency class	D
Number of luminaires B16A	24
Net weight [kg]	2.37
EAN number	9010870572546

LIGHT DISTRIBUTION CURVE



Energy label



The values are rated values. Power and luminous flux are initially subject to a tolerance of +/- 10%.
 Colour temperature tolerance: +/- 150 K. The values apply to an ambient temperature of 25°C unless otherwise specified.